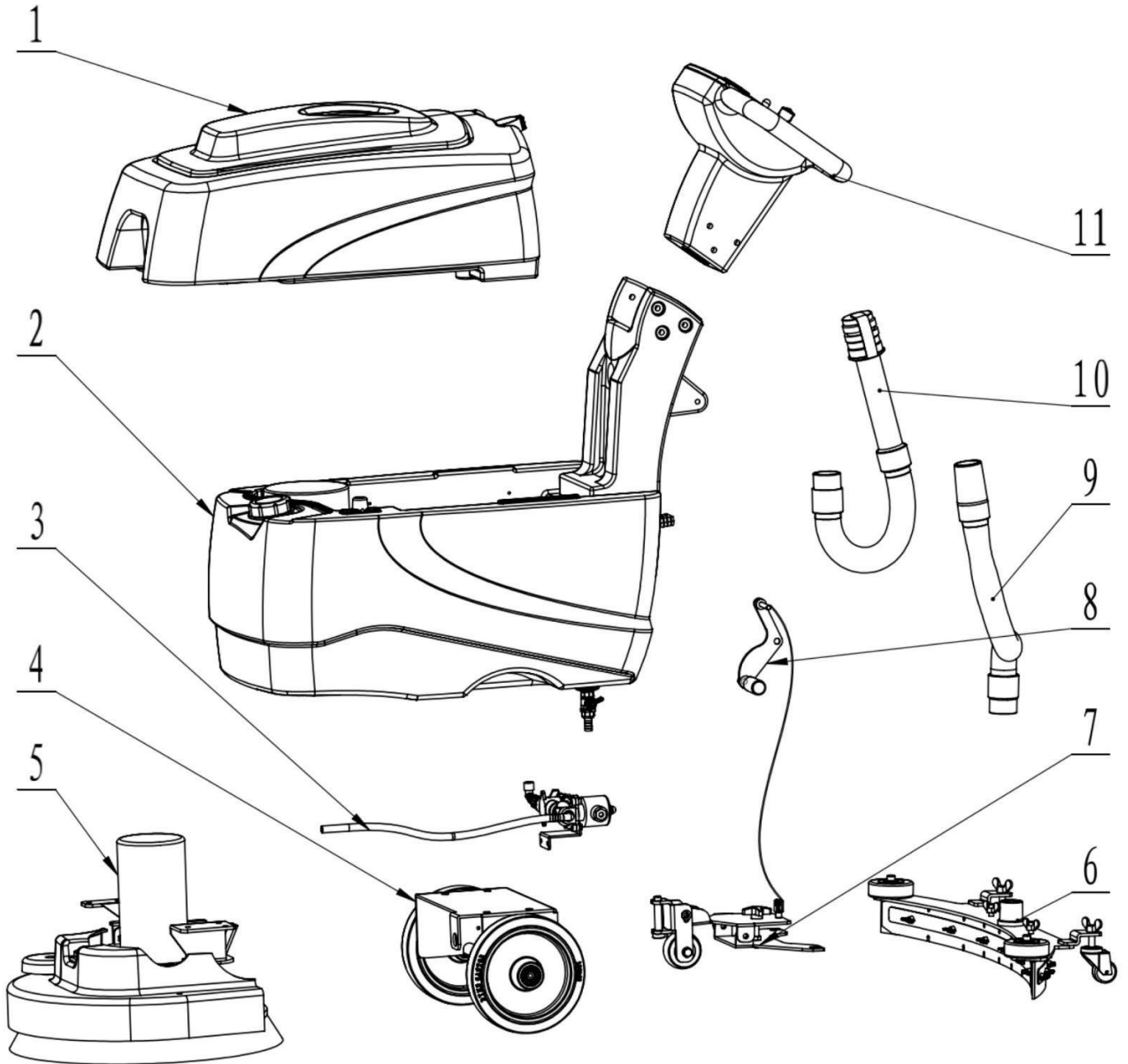


# 18FSE Exploded Drawing



**Part 1: Recovery tank assembly**

**Part 2: Solution tank assembly**

**Part 3: Water filter assembly**

**Part 4: Metal chassis assembly**

**Part 5: Brush drive assembly**

**Part 6: Squeegee assembly**

**Part 7: Squeegee connecting assembly**

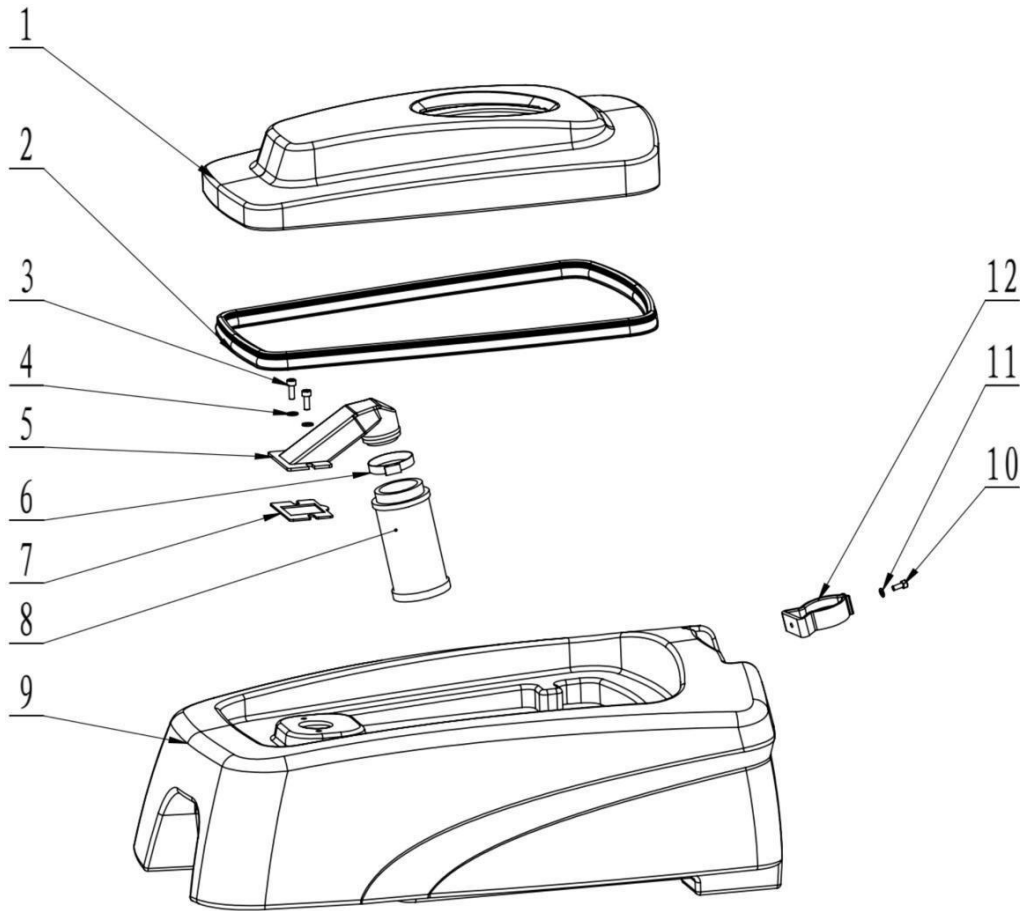
**Part 8: Squeegee lift assembly**

**Part 9: Suction hose**

**Part 10: Drain out hose**

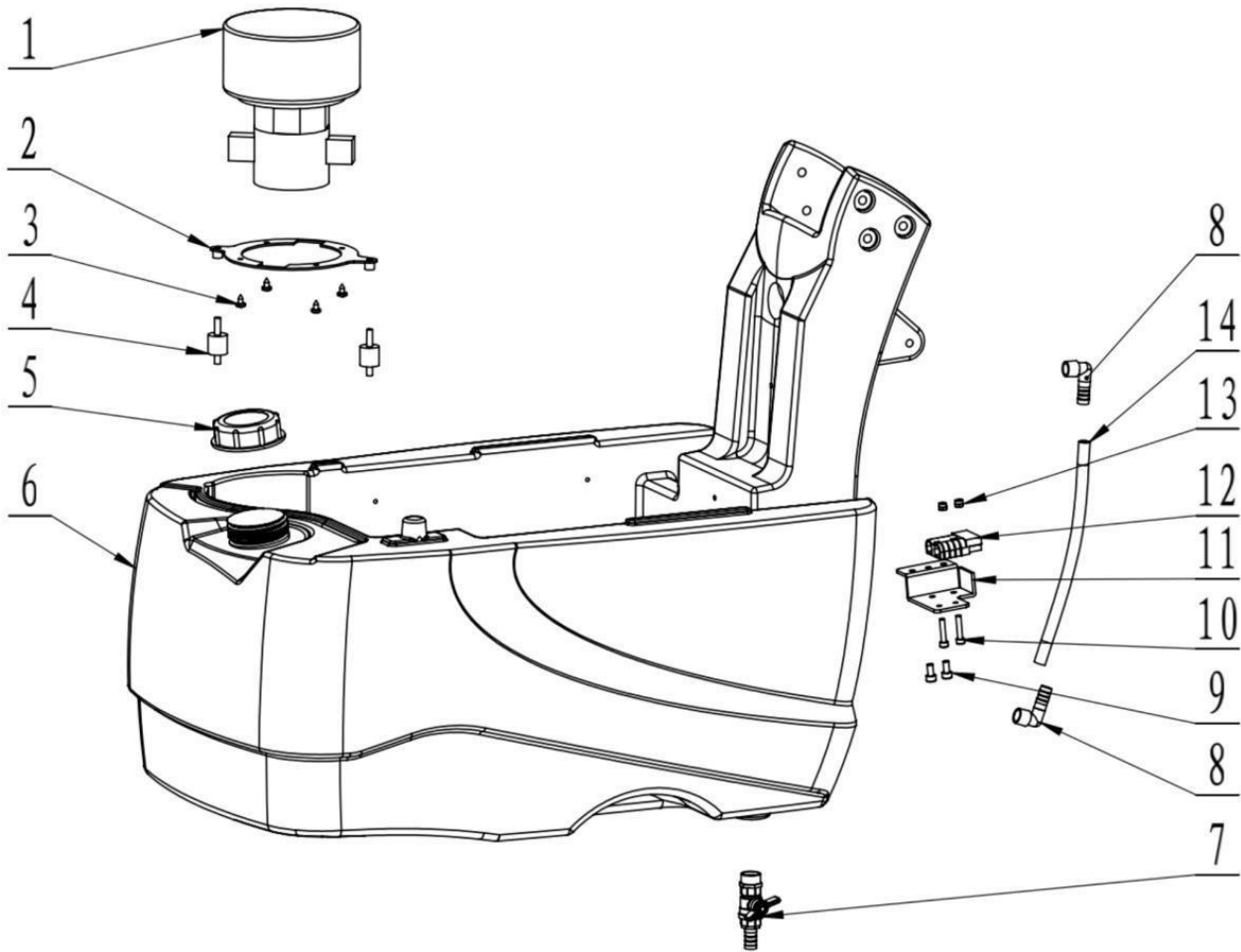
**Part 11: Control panel assembly**

## Part 1: Recovery tank assembly



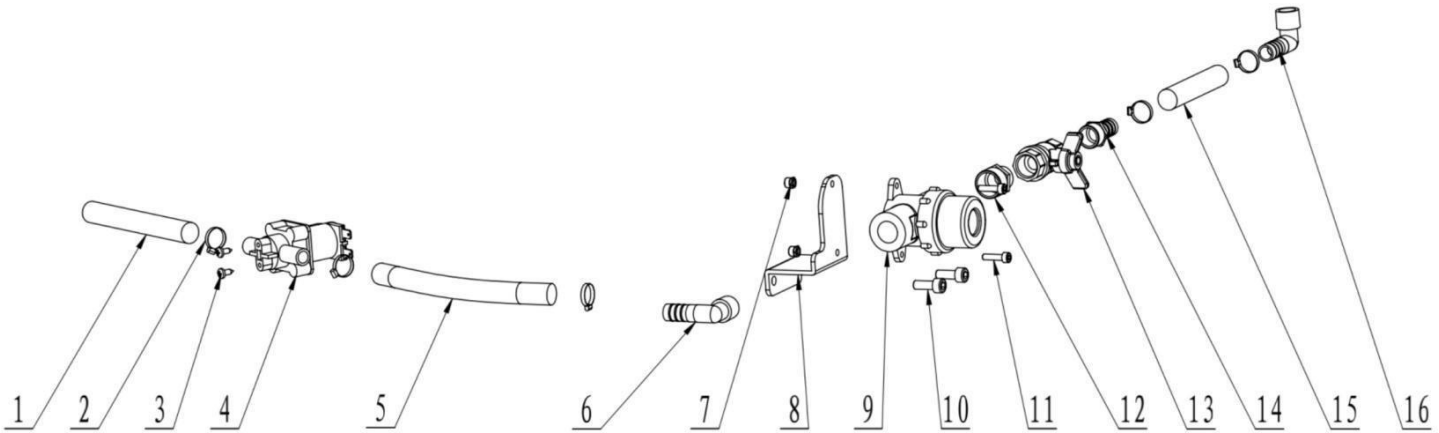
Item	Part #	Description	Quantity	REMARK
1	C460SE-1-1	Recovery tank cover	1	
2	C460SE-1-2	Seal	1	
3	C460SE-1-3	Screw	2	
4	C460SE-1-4	Washer	2	
5	C460SE-1-5	Bracket	1	
6	C460SE-1-6	Clamp	1	
7	C460SE-1-7	Rubber Seal	1	
8	C460SE-1-8	Bucket	1	
9	C460SE-1-9	Recovery tank	1	
10	C460SE-1-10	Screw	1	
11	C460SE-1-11	Washer	1	
12	C460SE-1-12	Hose clamp	1	

## Part 2: Solution tank assembly



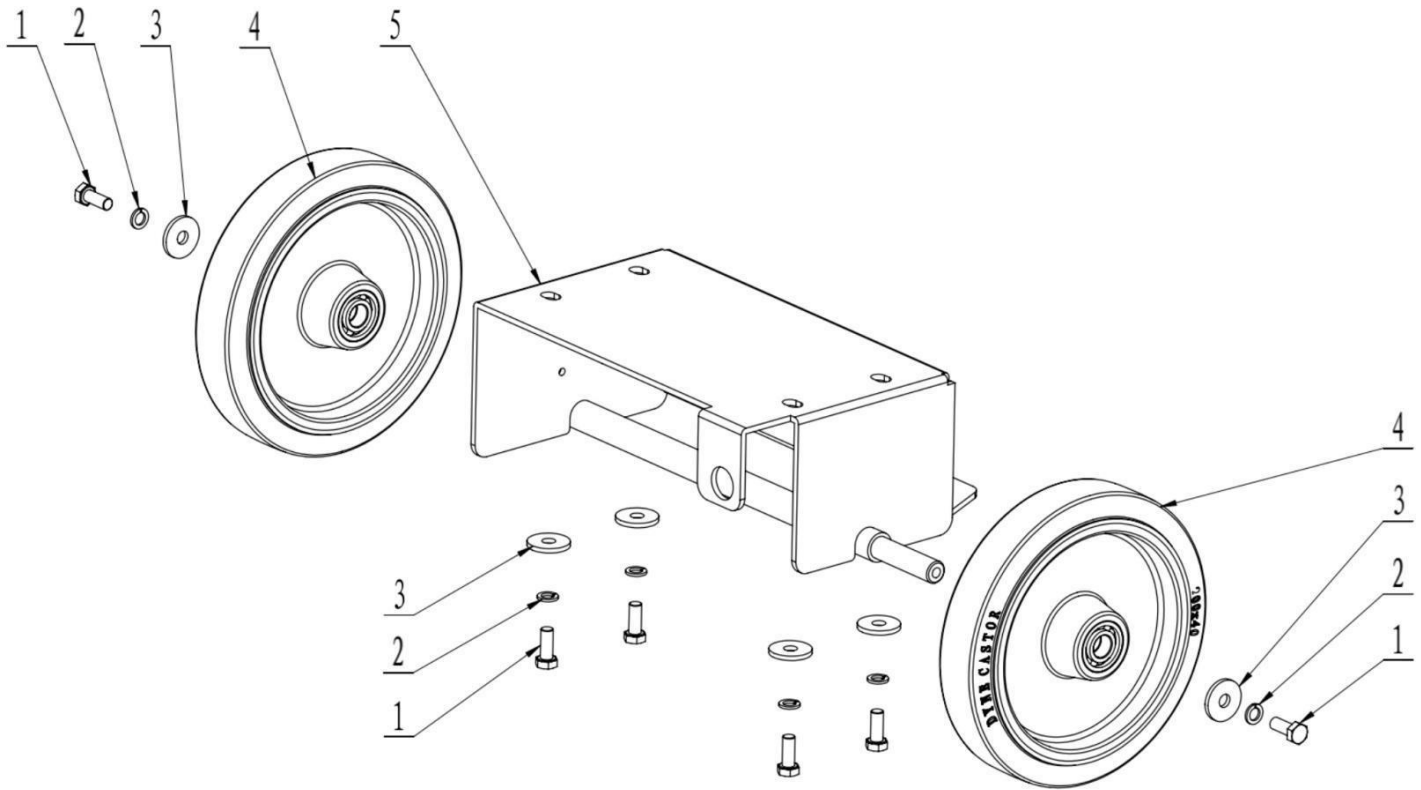
Item	Part #	Description	Quantity	REMARK
1	C460SE-2-1	Suction motor	1	
2	C460SE-2-2	Metal plate	1	
3	C460SE-2-3	Screw	4	
4	C460SE-2-4	Rubber bolt	2	
5	C460SE-2-5	Cap	1	
6	C460SE-2-6	Solution tank	1	
7	C460SE-2-7	Drain out valve	1	
8	C460SE-2-8	Water lever pipe connector	2	
9	C460SE-2-9	Bolt	2	
10	C460SE-2-10	Bolt	2	
11	C460SE-2-11	Bracket	1	
12	C460SE-2-12	Charger socket	1	
13	C460SE-2-13	Nut	3	
14	C460SE-2-14	Water lever pipe	1	

## Part 3: Water filter assembly



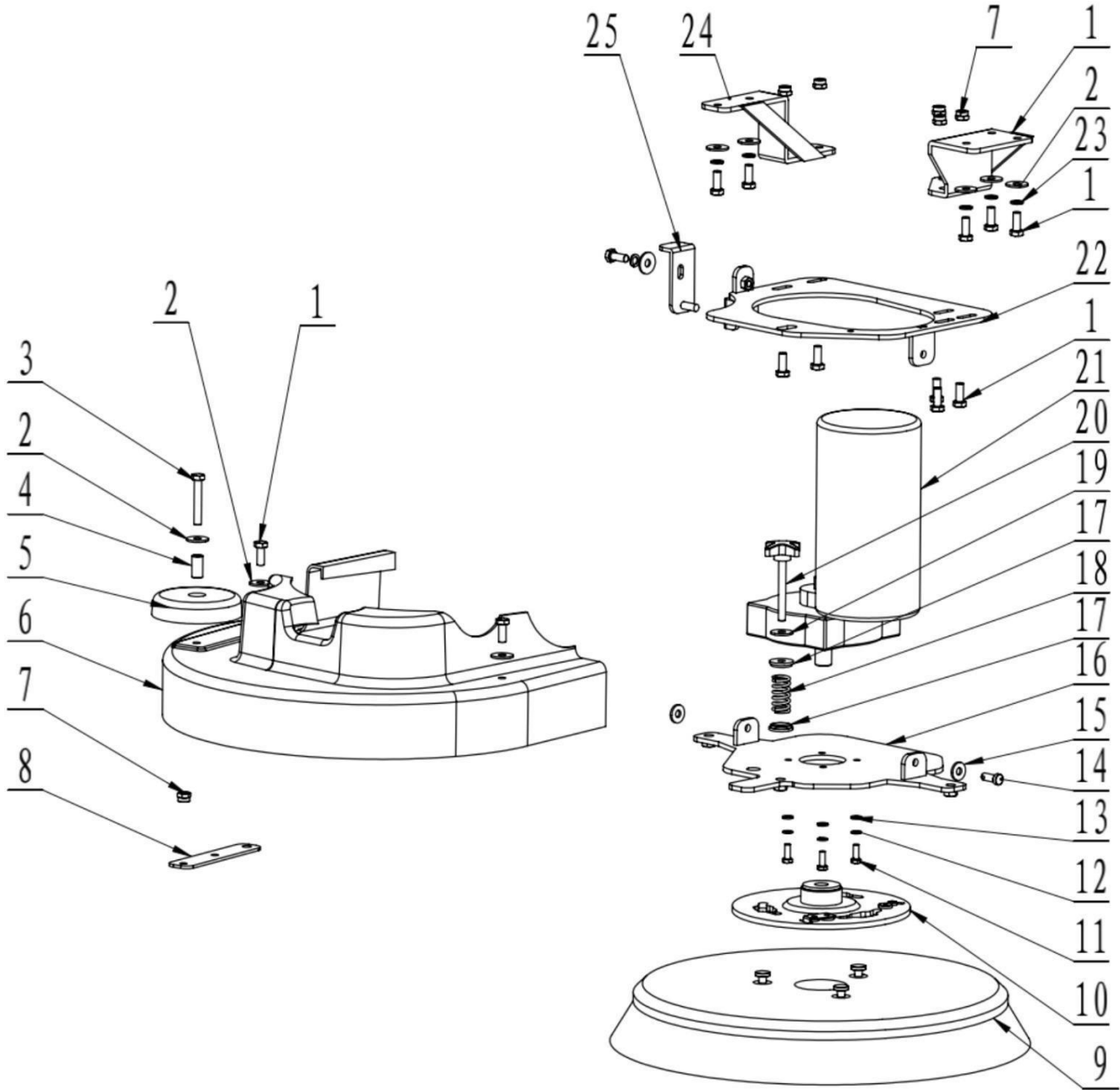
Item	Part #	Description	Quantity	REMARK
1	C460SE-3-1	Pipe	1	
2	C460SE-3-2	Clamp	4	
3	C460SE-3-3	Screw	1	
4	C460SE-3-4	Solenoid valve	1	
5	C460SE-3-5	Pipe	1	
6	C460SE-3-6	Brass below	1	
7	C460SE-3-7	Screw	2	
8	C460SE-3-8	Bracket	1	
9	C460SE-3-9	Water filter	1	
10	C460SE-3-10	Bolt	2	
11	C460SE-3-11	Bolt	2	
12	C460SE-3-12	Brass connector	1	
13	C460SE-3-13	Water adjust valve	1	
14	C460SE-3-14	Brass connector	1	
15	C460SE-3-15	Pipe	1	
16	C460SE-3-16	Brass below	1	

## Part 4: Metal chassis assembly



Item	Part #	Description	Quantity	REMARK
1	C460SE-4-1	Bolt	6	
2	C460SE-4-2	Spring washer	6	
3	C460SE-4-3	Washer	6	
4	C460SE-4-4	Big main wheel	2	
5	C460SE-4-5	Chassis	1	

## Part 5: Brush drive assembly

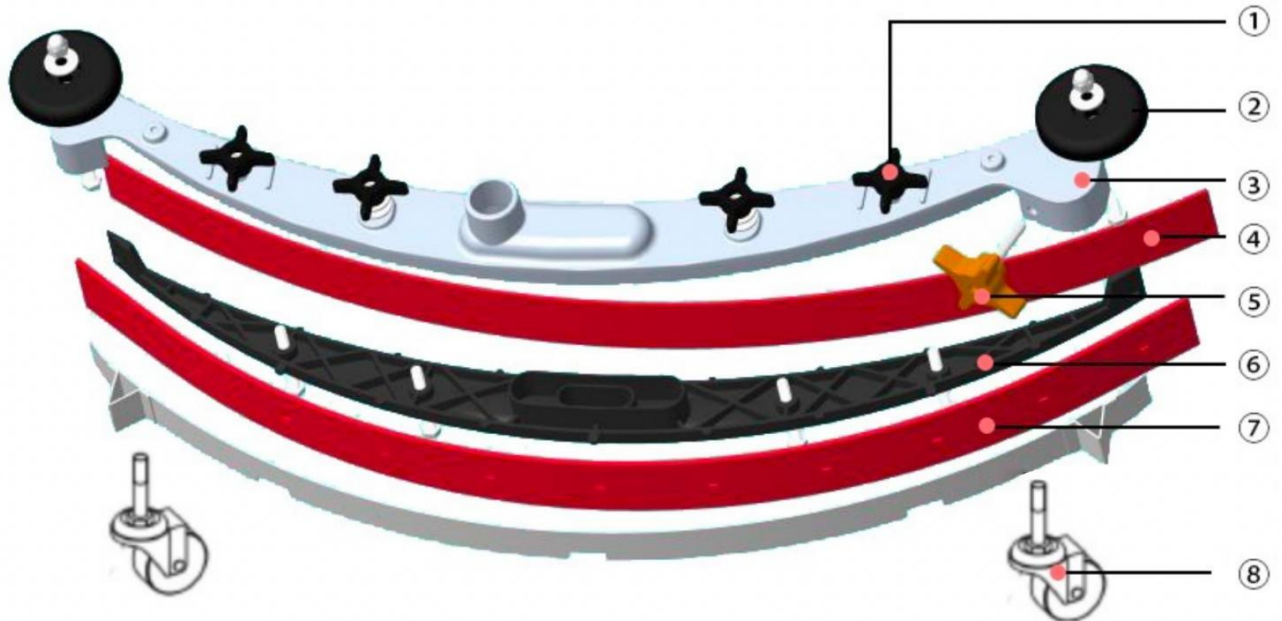


## Part 5: Brush drive assembly (cont.)

Item	Part #	Description	Quantity	REMARK
1	C460SE-5-1	Bolt	10	
2	C460SE-5-2	Washer	7	
3	C460SE-5-3	Bolt	1	
4	C460SE-5-4	Bush	1	
5	C460SE-5-5	Guide wheel	1	
6	C460SE-5-6	Shell	1	
7	C460SE-5-7	Nut	2	
8	C460SE-5-8	Metal plate	1	
9	C460SE-5-9	Brush pad	1	
10	C460SE-5-10	Brush driver head	1	
11	C460SE-5-11	Screw	3	
12	C460SE-5-12	Washer	3	
13	C460SE-5-13	Cotter pin	1	
14	C460SE-5-14	Bolt	2	
15	C460SE-5-15	Washer	2	
16	C460SE-5-16	Metal plate	1	
17	C460SE-5-17	Washer	2	
18	C460SE-5-18	Spring	1	
19	C460SE-5-19	Washer	1	
20	C460SE-5-20	Bolt	1	
21	C460SE-5-21	Brush motor	1	
22	C460SE-5-22	Metal plate	1	
23	C460SE-5-23	Spring washer	6	
24	C460SE-5-24	Bracket	2	
25	C460SE-5-25	Metal connector	1	

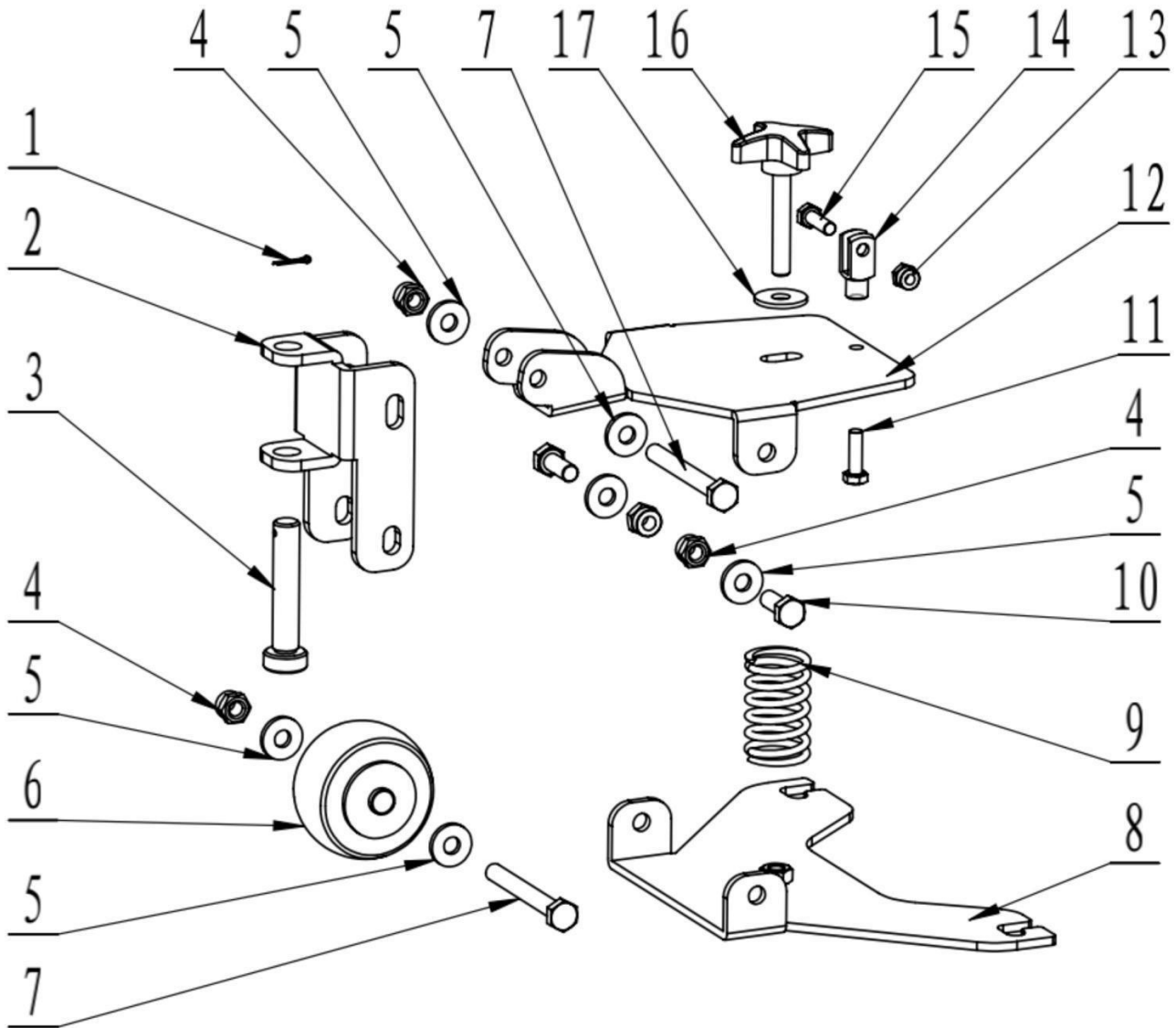


## Part 6: Squeegee assembly



Item	Part #	Description	Quantity	REMARK
1	C460SE-6-1	Star nut	4	
2	C460SE-6-2	Guide wheel	2	
3	C460SE-6-3	Squeegee frame	1	
4	C460SE-6-4	Rubber blade front	1	
5	C460SE-6-5	Star bolt	1	
6	C460SE-6-6	Plastic plate	1	
7	C460SE-6-7	Rubber blade rear	1	
8	C460SE-6-8	Support wheel	2	

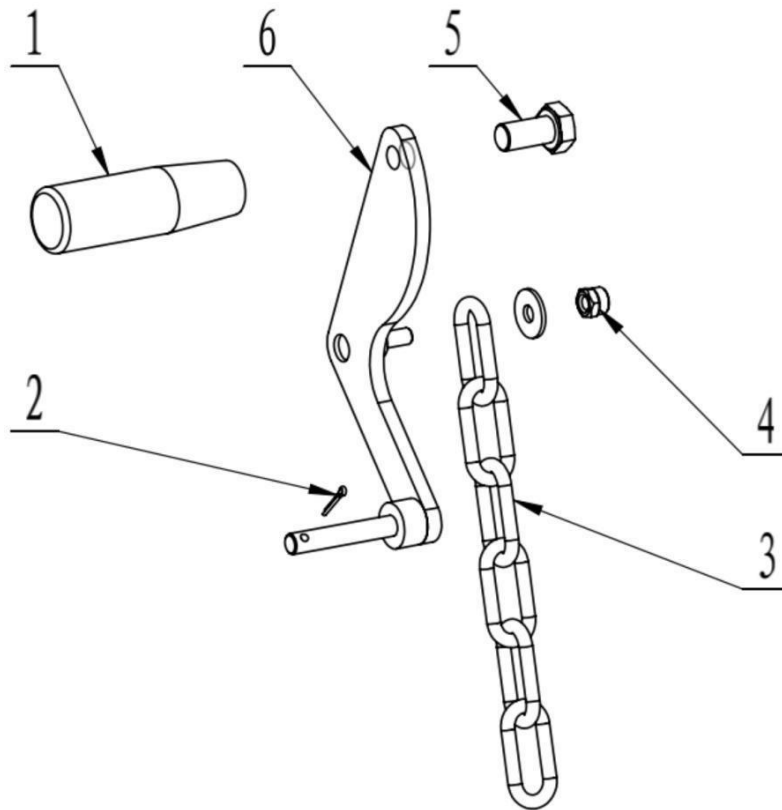
## Part 7: Squeegee connecting assembly



## Part 7: Squeegee connecting assembly (cont.)

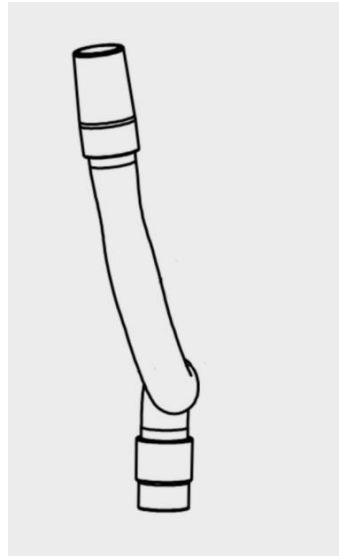
Item	Part #	Description	Quantity	REMARK
1	C460SE-7-1	Cotter pin	1	
2	C460SE-7-2	Metal connector	1	
3	C460SE-7-3	Bolt	1	
4	C460SE-7-4	Nut	2	
5	C460SE-7-5	Washer	6	
6	C460SE-7-6	Wheel	1	
7	C460SE-7-7	Bolt	2	
8	C460SE-7-8	Bracket	1	
9	C460SE-7-9	Spring	1	
10	C460SE-7-10	Bolt	2	
11	C460SE-7-11	Bolt	1	
12	C460SE-7-12	Metal plate	1	
13	C460SE-7-13	Nut	1	
14	C460SE-7-14	Fork	1	
15	C460SE-7-15	Bolt	1	
16	C460SE-7-16	Star bolt	1	
17	C460SE-7-17	Washer	1	

## Part 8: Squeegee lift assembly



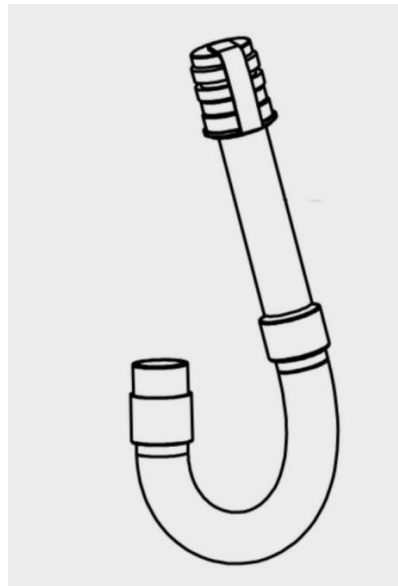
Item	Part #	Description	Quantity	REMARK
1	C460SE-8-1	Handle level	1	
2	C460SE-8-2	Cotter pin	1	
3	C460SE-8-3	Chain or Cable	1	
4	C460SE-8-4	Nut	1	
5	C460SE-8-5	Bolt	1	
6	C460SE-8-5	Metal frame	1	

## Part 9: Suction hose



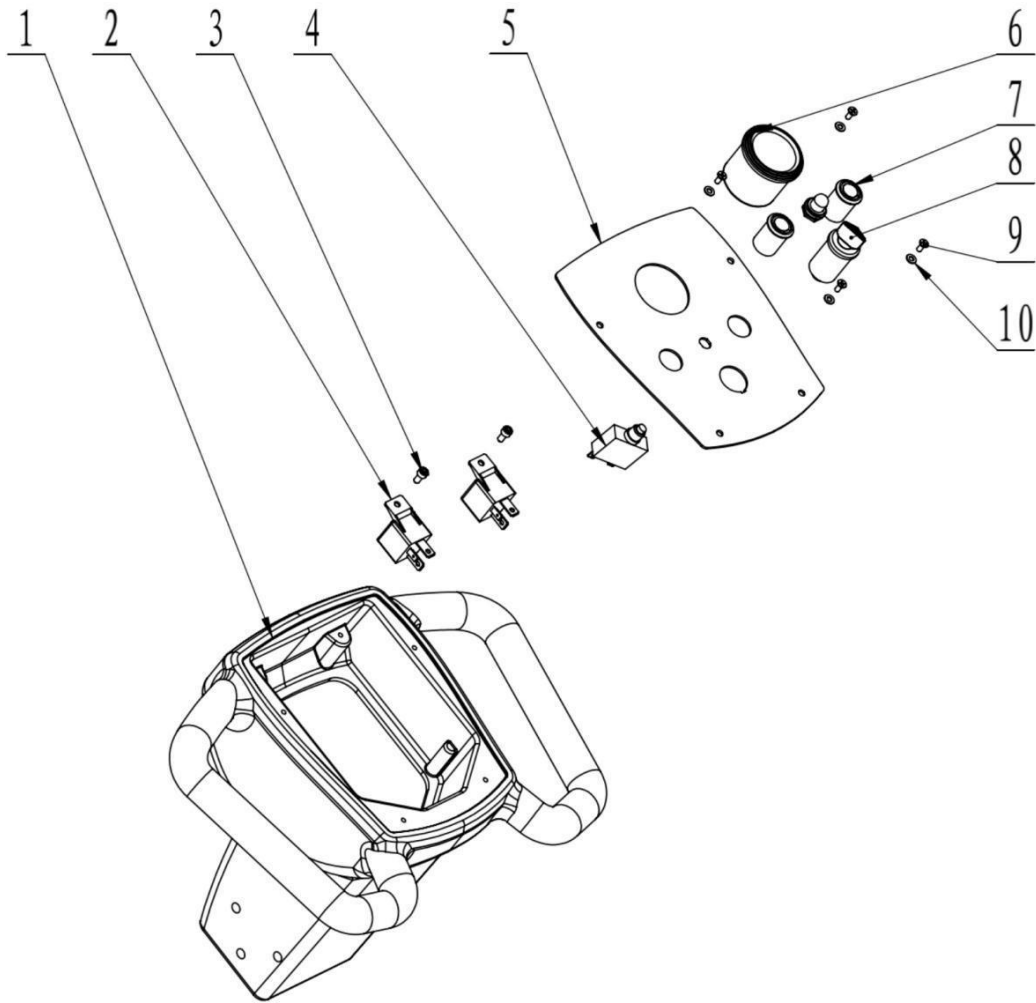
C460SE-9

## Part 10: Drain out hose



C460SE-10

## Part 11: Control panel assembly



Item	Part #	Description	Quantity	REMARK
1	C460SE-11-1	Control box	1	
2	C460SE-11-2	Relay	2	
3	C460SE-11-3	Screw	1	
4	C460SE-11-4	Overload fuse	1	
5	C460SE-11-5	Metal plate	1	
6	C460SE-11-6	Power indicator	1	
7	C460SE-11-7	Brush & vacuum button	2	
8	C460SE-11-8	Power switch	1	
9	C460SE-11-9	Bolt	4	
10	C460SE-11-10	Washer	4	