

5100CD

DENTAL LAB STEAM CLEANER

NETTOYEUR DENTAIRE À LA VAPEUR

LIMPIADOR DENTAL A VAPOR

INSTRUCTION MANUAL

GUIDE D'UTILISATION

MANUAL DE INSTRUCCIONES

ENGLISH
FRANÇAIS
ESPAÑOL

1
19
37

5100CD DENTAL LAB STEAM CLEANER
INSTRUCTION MANUAL
ENGLISH



For immediate help with your purchase, please contact us so that we can help resolve your issue.

We can be reached toll-free at **1-800-268-1649** or via email at **support@reliablecorporation.com**

RELIABLE. RIGHT THERE WITH YOU.

At Reliable, we do what we love, and take pride in doing it right. You want what's best for the people, places and things that matter in your life – from where you live to what you wear. So do we. From the start, we approach every product with a craftsman's attention to detail and passion for making it right. Quality, functionality, design and customer service play an equally important part in delivering what's right for you.

With its stainless steel construction, the 5100CD will allow you to obtain the benefits of professional steam cleaning in a compact and convenient format.

For your safety and to fully enjoy the advantages of this product, please take a few minutes to read all the important safeguards and care instructions. Keep this manual handy and review the product warranty for your reference.

IMPORTANT SAFETY INSTRUCTIONS

Read all instructions before use. Save these instructions for your future reference.

1. To avoid risk of electric shock, do not immerse the boiler in water or other liquids.
2. Do not allow the cord to come in contact with hot surfaces.
3. Always allow the appliance to cool down before storing.
4. Always put the appliance in a secure location (e.g., table or countertop) when in use.
5. Do not move the appliance without unplugging it first.
6. Always disconnect the appliance from the outlet before filling it with water, or emptying the water. Be careful to avoid spilling water onto the appliance while filling it up.
7. Use either tap water or distilled water in the appliance. Do not use perfumed liquid or products containing alcohol.
8. Always disconnect the appliance when not in use.
9. Do not use the appliance if the cord is damaged. If the cord looks damaged, return the appliance to have the cord repaired by the manufacturer or their service agent.
10. Do not operate the appliance if it has been dropped or damaged. Do not disassemble the appliance. Incorrect reassembly can cause a risk of electric shock. Send it to an authorized service center for repair.
11. Do not operate another high wattage appliance on the same circuit.
12. This appliance must be grounded. Do not alter the plug or attempt to remove this feature.
13. Be careful when operating the unit. Burns can occur from touching any hot metal surfaces or the steam.
14. This appliance is not intended for use by young children.
15. While using the appliance, never unscrew or remove the Safety Cap (1) while the boiler is under pressure.

16. Before removing the cap, make sure there is no more steam in the steam chamber. Do this by turning the Boiler Button (3) to the off position and pressing the Steam Power Button (2) to release all remaining steam.
17. To ensure your safety, the Safety Cap (1) and all other components must be replaced with original parts only.

FOR HOUSEHOLD AND LIGHT COMMERCIAL USE ONLY

FEATURES

- Low water light indicator
- Auto shut-off thermostat protection
- Regular tap water or distilled water
- 50 PSI operating pressure
- Up to 4 hours of continuous steam
- Eco mode

TECHNICAL DATA

- Boiler power - 1000W
- Working pressure 3.5 BAR
- Tank nominal capacity of model - 2.2 L, Fill to 1.9 L



IMPORTANT: When you want to dispose of the appliance, never throw it into the garbage. Instead, go to your closest recycling station or waste collection center for subsequent treatment. In this way, you will be contributing to preservation of the environment.

WHAT'S IN THE BOX

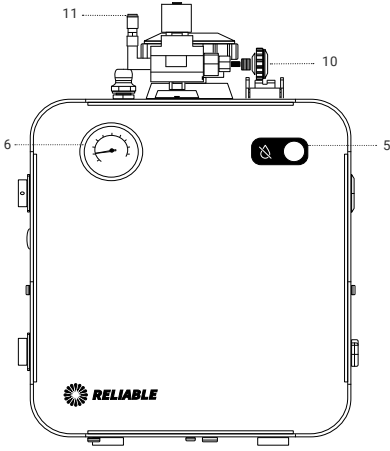
Please ensure that you have unpacked all of the following items:

1. 5100CD Dental Steam Cleaner
2. 3000DA Steam Gun
3. Steam Cord Holder
4. Safety Cap
5. Funnel
6. Water Level Measuring Stick

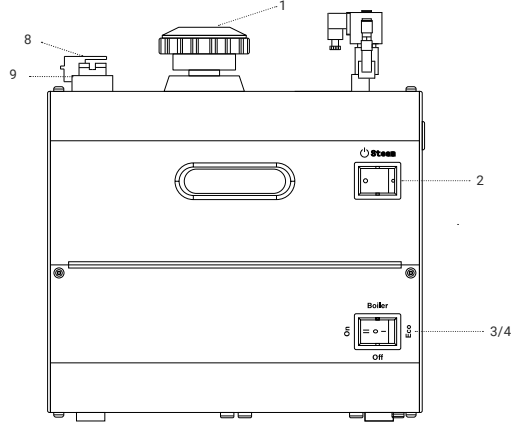
DESCRIPTION OF THE 5100CD BOILER

- | | | |
|-----------------------|------------------------------|-------------------------|
| 1. Safety Cap | 4. Eco Mode Button | 8. Lock Mechanism |
| 2. Steam Power Button | 5. Low Water Indicator Light | 9. Ilme Plug |
| 3. Boiler Button | 6. Pressure Gauge | 10. Steam Volume Dial |
| | 7. Steam Cord Holder | 11. Steam Quick Connect |

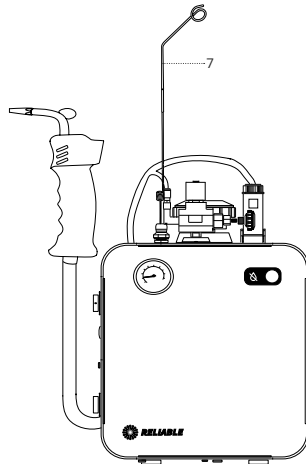
FRONT VIEW



SIDE VIEW



BOILER WITH STEAM GUN ATTACHMENT



BOILER ASSEMBLY

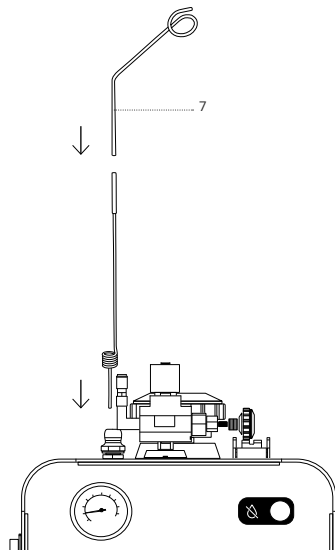
1. Remove the Boiler from its packing and make sure all packaging has been removed (including the protective bags). Put the station on a flat and solid surface.
2. Unscrew the Safety Cap (1). Fill the boiler with a maximum of 8 cups (1.9 litres) of water for the 5100CD. Use the funnel supplied, making sure you do not overfill the tank (you can also use the water stick to determine the water level in the steam tank).

Note: To preserve the life of your boiler, we recommend distilled water. Tap water is okay, but more cleaning is required. See maintenance section for more cleaning information.

How to use the water stick: Fully insert the water stick into the tank. Place your finger on the end of the water stick. While holding the end, remove the water stick from the boiler tank. The water level capacity will then appear on the stick measurement to indicate the level.

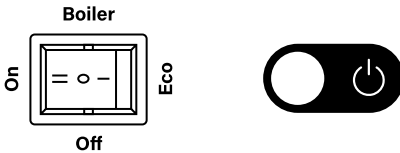
STEAM GUN ASSEMBLY

1. Remove steam gun from packaging and ensure all protective bags/outer packaging has been taken off.
2. Insert the two piece Steam Cord Holder (7) into the flange on top of the boiler and attach the spring on the steam hose to the coil end of the wand.
3. Connect the steam gun to the Ilme Plug (9) and the Steam Quick Connect (11) on the boiler. Turn the Lock Mechanism (8) until it clicks to ensure full connection.

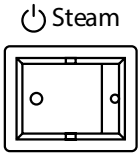


HOW TO USE THE BOILER

1. Insert the plug into the electrical outlet. It is not recommended to use an extension cord with your boiler. Using an extension cord can reduce the life of your unit. If required, do not use more than 6' and ensure it is a 14-gauge wire.
2. Turn the boiler on by pressing the Boiler Button to the ON position (II). When the boiler is on, the main power will illuminate.



3. The boiler will begin to heat. Wait approximately 20 minutes for the boiler to reach maximum pressure. At this time, the unit is ready to operate.
4. To activate the steam, press the steam button. Push the trigger on 3000DA Steam Gun to release the steam.



NOTE: When you activate steam for the first time after turning the boiler on, you may notice a fast decrease in pressure. This is normal during the first time use.

LOW WATER LIGHT

The 5100CD is equipped with a low water light. If the low water light is on, please ensure to fill your unit immediately. Do not use perfumed products or any products that contain alcohol.



TIP:

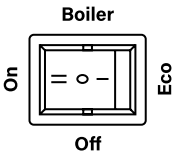
Filling your tank before the low water indicator light flashes will prolong the life of your boiler. Example: if your boiler runs out of water at 2:00 PM everyday, ensure you refill your unit at noon.

CAUTION:

Prolonged periods of time with no water or low water can be harmful to the boiler/the element within the unit. Important: The low water indicator light is a safety, not a function.

ECO MODE & STANDBY

The 5100CD is equipped with Eco Mode. This feature helps to save energy while not in use. Eco Mode keeps the boiler in a ready state and offers up to 33% less energy consumption**



To activate Eco Mode (Ready State), push the boiler button to the ECO position (I). The boiler will automatically stay in ECO Mode. DO NOT STEAM in Eco Mode. This is a ready state mode to help save energy. To reactivate the boiler, push the button to the ON position (II). The unit will heat up in 2 - 3 minutes and be ready for steaming. When the boiler reaches 3.5Bar / 50 PSI the boiler is ready to steam.

IMPORTANT NOTE: DO NOT STEAM IN ECO MODE. THIS IS A READY STATE TO HELP SAVE ENERGY. IT IS NOT INTENDED FOR STEAMING.

**Based on the energy consumption required to heat up from Eco Mode to Ready mode.

CLEANING YOUR BOILER UNIT

1. Ensure Boiler is OFF and there is no steam pressure in Boiler Unit.
2. Unplug your unit from the wall.
3. Open the safety cap and dump all the water in the tank.
4. Add fresh tap water to the tank and reapply the safety cap. Shake/swirl the boiler in a counter-clockwise direction for 5 seconds.
5. Remove safety cap and dump water from the tank.

NOTE: If water is clear of sediment, you can fill the tank and begin to use it. If you see any sediment, repeat steps 3 and 4 until the water is clear.

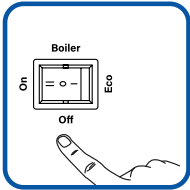
IMPORTANT NOTE: We do not recommend the use of any cleaning agents or the use of vinegar to clean your unit. If you use vinegar to clean your unit, please ensure to dilute it 8:1. You must ensure all cleaners or vinegar is not present in the tank prior to reuse. Cleaners/vinegar can harm internal parts of the boiler unit if not removed 100%.

5100CD MAINTENANCE SCHEDULE

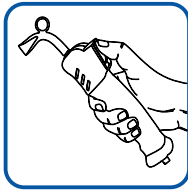
AT THE END OF THE DAY:

RELEASE STEAM PRESSURE

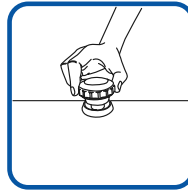
To prolong the life of the boiler and its components, we recommend that this task be performed at the end of the day.



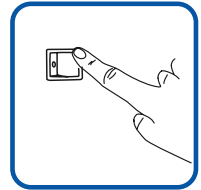
Turn off the boiler switch.



Press the steam button on the steam handle until the pressure drops to zero.



Open the filler safety cap slightly to allow the remaining steam to release.

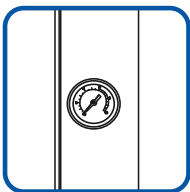


To complete the shutdown of the unit, turn the steam switch off.

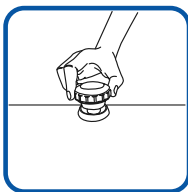
EVERY WEEK:

FLUSH THE BOILER UNIT

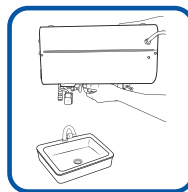
To prevent limescale deposits, the boiler should be drained every week.



Should be completed in the morning or when the boiler is cold with zero pressure.

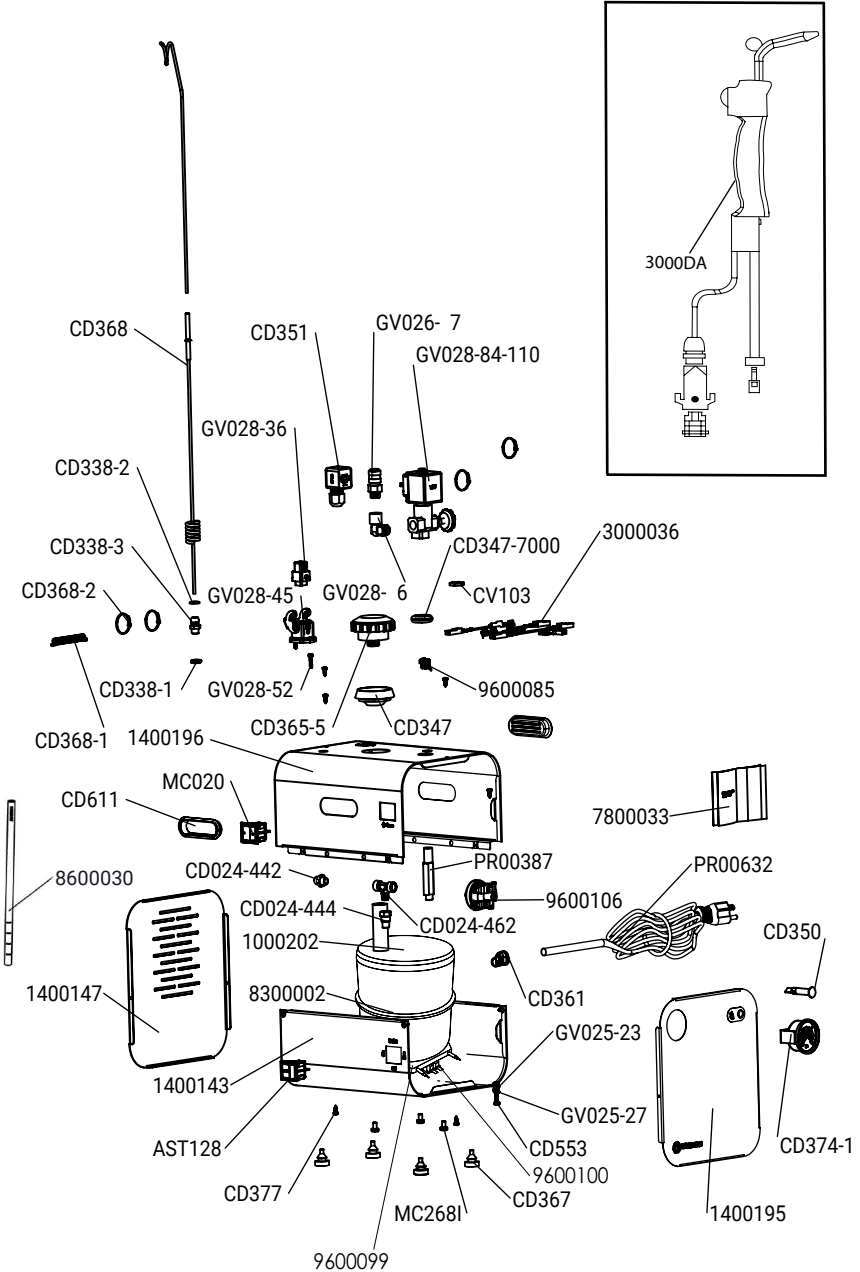


The safety cap should be open. If it is not, please remove the cap completely.



Turn the unit upside down to drain all the water in the tank. Add clean water and repeat if necessary to remove any sediment.

5100CD PARTS DRAWING



STEAM BOILER TANK WARRANTY

This warranty contains warranty terms and conditions that may vary depending on the part or system covered. A warranty for specific parts or systems is governed by the coverage set forth in that warranty section as well as other provisions in this Limited Warranty.

THIS RELIABLE STEAM BOILER LIMITED WARRANTY IS THE ONLY EXPRESS WARRANTY MADE IN CONNECTION WITH YOUR NEW RELIABLE STEAM BOILER. All other implied or express warranties or conditions are disclaimed to the fullest extent allowed by the law in your Warranty Region, including, but not limited to, implied warranties and conditions of merchantability, fitness for a particular purpose, durability, or those arising out of a course of dealing or usage of trade. Some Warranty Regions do not allow limitations on implied warranties or conditions and/or how long an implied warranty or condition lasts, so the above limitations may not apply to you. The performance of necessary repairs and parts replacement by RELIABLE is the exclusive remedy under this New Reliable Steam Boiler Limited Warranty or any implied warranties. Reliable does not authorize any person or entity to create for it any other obligations or liability in connection with this Reliable Steam Boiler Limited Warranty. The decision of whether to repair or replace a part or to use a new or reconditioned part will be made by Reliable, in its sole discretion.

New Reliable Steam Boiler Unit Limited Warranty

Subject to separate coverage for certain parts and the exclusions and limitations set forth below, Reliable Corporation ("Reliable") warrants the New Reliable Steam Boiler against defects in materials and workmanship for one year from the date of original purchase. The exclusive remedy available to the original purchaser under this Limited Warranty is the repair of the defective unit by Reliable for the covered defects. Such repair or parts replacement will be performed by Reliable without cost to the original purchaser when Reliable is notified of the covered defect within the first year of the original purchase date.

Reliable Corporation warrants the inner boiler tank part against leakage for two years from the date of the original purchase of the New Reliable Steam Boiler of which the tank is a part. The exclusive remedy available to the original purchaser under this Limited Warranty is the replacement of the inner steam boiler tank of the defective unit by Reliable. Such repair or parts replacement by Reliable will be performed without cost to the original purchaser when Reliable is notified within the first year of the original purchase date. Should Reliable be notified of a warranty claim for the Inner Steam boiler tank during the second year from the original purchase date of the New Reliable Steam Boiler the warranty will cover the replacement of the Inner steam boiler tank only exclusive of any and all shipping costs.

This limited warranty does not cover any damage to a New Reliable Steam Boiler or Steam Boiler Tank that results from improper installation, wear-and-tear, accident, misuse, unreasonable use, natural disaster, insufficient or excessive electrical supply, abnormal mechanical or environmental conditions or any unauthorized disassembly, repair or modification. This limited warranty does not extend to any indirect, consequential or incidental damages that may be suffered by a user from the use of a New Reliable Steam Boiler, including without limitation, any liability for third party claims for damage, and is limited to the amount paid by the original purchaser for the Reliable Steam Boiler with respect to which this limited warranty applies. This limited warranty does not apply to any product which has been altered, or which are missing serial numbers, or not purchased directly from Reliable or a dealer authorized by Reliable to sell the Reliable Steam Boiler.

To submit a claim for warranty service under the terms of this warranty, please contact customer service at support@reliablecorporation.com or call 1-800-268-1649.

Please note that proof of purchase will be required and must reflect that you are the original purchaser and that the purchase was made directly from Reliable Corporation or an authorized Reliable dealer. Please also provide the model and the serial number of the Reliable Steam Boiler, respond to questions designed to assist with diagnosing potential issues and follow Reliable's procedures for obtaining warranty service.

Any warranty claim must be in compliance with the terms set out in this document or any subsequent document issued by Reliable in connection to this policy.

All repairs are done at the premises of Reliable Corporation, at:

5-100 Wingold Ave,
North York, Ontario
Canada M6B 4K7

PRODUCT WARRANTY

Reliable Corporation (“Reliable”) warrants to original purchaser of its products that every product sold by Reliable (a “Reliable Product”) is free from defects in material and workmanship for a period of one year from the date of purchase if properly used and maintained. Subject to the conditions and limitations set forth below, Reliable will either repair or replace any part of a Reliable Product that proves defective by reason of improper workmanship or materials. If the defective Reliable Product is no longer available and cannot be repaired effectively or replaced with an identical model, Reliable shall replace the defective Reliable Product with a current Reliable Product of equal or greater value. Repaired parts or replacement products will be provided by Reliable on an exchange basis, and will be either new or refurbished to be functionally equivalent to new. If Reliable is unable to repair or replace a Reliable Product, it will refund the current value of that Reliable Product at the time the warranty claim is made.

This limited warranty does not cover any damage to a Reliable Product that results from improper installation, accident, abuse, misuse, natural disaster, insufficient or excessive electrical supply, abnormal mechanical or environmental conditions, wear and tear resulting from normal use of the product, or any unauthorized disassembly, repair, or modification. This limited warranty does not extend to any indirect, consequential or incidental damages that may be suffered by a user or from the use of a Reliable Product, including without limitation, any liability for third party claims for damage, and is limited to the amount paid by the original purchaser Reliable Product with respect to which this limited warranty protection applies. This limited warranty does not apply with respect to products that have been altered or which are missing serial numbers or for products not purchased directly from Reliable or a dealer authorized by us to sell Reliable Products.

This limited warranty is the only warranty that applies to any Reliable Product, supersedes any and all terms that may be contained in any other document or purchase order and may not be altered or amended except expressly in writing by Reliable.

To obtain a repair or replacement under the terms of this warranty, please contact our customer service group at 1-800-268-1649 or at support@reliablecorporation.com. You will be required to submit an original receipt via fax or e-mail. The receipt must reflect that you are the original purchaser, the product was bought directly from us or from an authorized Reliable dealer and that the warranty claim is being made within the warranty period. You will be issued a return authorization number (RA#) and asked to ship the defective product together with proof of purchase and RA#, prepaid insured to the following address:

Reliable Corporation
100 Wingold Avenue, Unit 5
Toronto, Ontario
Canada M6B 4K7

Freight collect shipments will be refused. The risk of loss or damage in transit will be borne by the customer. Once Reliable receives the defective product, it will initiate the repair or replacement process.

If you have any questions regarding this warranty, you may email us at support@reliablecorporation.com



1 800 268 1649
reliablecorporation.com

MANUEL D'INSTRUCTIONS 5100CD
NETTOYEUR VAPEUR POUR
LABORATOIRE DENTAIRE
FRANÇAIS



Pour une aide immédiate concernant votre achat, veuillez nous appeler afin que nous puissions résoudre votre problème.

Vous pouvez nous joindre sans frais en composant le **1-800-268-1649** ou par courriel à l'adresse **support@reliablecorporation.com**

RELIABLE. À VOS CÔTÉS.

Chez Reliable, nous faisons ce que nous aimons et sommes fiers de donner l'exemple. Vous voulez ce qui se fait de mieux pour les êtres, les lieux et les choses qui vous sont chers, de l'endroit où vous vivez aux vêtements que vous portez. Nous aussi. Nous pensons depuis toujours à chaque produit avec la minutie d'un artisan et la volonté de bien faire. La qualité, la fonctionnalité, la conception et le service client jouent tous un rôle crucial pour vous offrir ce dont vous avez besoin.

Avec sa construction en acier inoxydable, le 5100CD vous permettra d'obtenir les avantages du nettoyage à la vapeur des bijoux dans un format compact et pratique.

Pour garantir votre sécurité et profiter de tous les avantages de ce produit, prenez quelques minutes pour lire toutes les instructions sur la garantie et l'entretien. Gardez ce manuel à portée de main et consultez la garantie du produit.

INFORMATIONS IMPORTANTES CONCERNANT LA SÉCURITÉ

Lire toutes les instructions avant utilisation et les enregistrer pour les consulter ultérieurement.

1. Ne pas immerger le bouilleur dans l'eau ou d'autres liquides afin d'éviter le risque de choc électrique.
2. Le cordon ne doit pas entrer en contact avec des surfaces chaudes.
3. Laissez toujours l'appareil refroidir avant de le ranger.
4. Toujours placer l'appareil dans un endroit sûr (par exemple une table ou une paillasse) lors de son utilisation.
5. Toujours débrancher l'appareil avant de le déplacer.
6. Toujours débrancher l'appareil avant de le remplir d'eau ou de vider l'eau. Ne pas renverser d'eau sur l'appareil pendant le remplissage.
7. Utiliser de l'eau du robinet ou de l'eau distillée dans l'appareil. Ne pas utiliser de liquides parfumés ou de produits contenant de l'alcool.
8. Toujours débrancher l'appareil lorsque vous ne l'utilisez pas.
9. Ne pas utiliser l'appareil lorsque le cordon est endommagé. Si le cordon semble endommagé, renvoyer l'appareil pour le faire réparer par le fabricant ou son agent de service.
10. Ne pas utiliser l'appareil s'il est tombé ou endommagé. Ne pas démonter l'appareil. Un remontage incorrect peut provoquer un choc électrique. Faire réparer l'appareil par un centre de service agréé.
11. Ne pas utiliser un autre appareil de puissance élevée sur le même circuit.
12. L'appareil doit être mis à la terre. Ne pas modifier la fiche ou essayer de la retirer.
13. Faire preuve de prudence lors de l'utilisation de l'appareil. Toucher des surfaces métalliques chaudes ou la vapeur peut provoquer des brûlures.
14. L'appareil ne doit pas être utilisé par de jeunes enfants.
15. Ne jamais dévisser ou retirer le capuchon de sécurité (1) lorsque vous utilisez le bouilleur sous pression.

16. Avant de retirer le capuchon, s'assurer qu'il n'y a plus de vapeur dans la chambre à vapeur en tournant le bouton du bouilleur (3) en position off (fermée) et en pressant le bouton d'alimentation de la vapeur (2).
17. Afin de garantir votre sécurité, le capuchon de sécurité (1) et tous les autres composants doivent être remplacés uniquement par des pièces d'origine.

USAGE DOMESTIQUE OU COMMERCIAL LÉGER

CARACTÉRISTIQUES TECHNIQUES

- Témoin lumineux « niveau d'eau faible »
- Thermostat avec arrêt automatique
- Eau du robinet ou eau distillée
- Pression de fonctionnement de 50 PSI
- Jusqu'à 4 heures de vapeur continue
- Mode Éco

DONNÉES TECHNIQUES

- Puissance du bouilleur : 1 000 W
- Pression de fonctionnement : 3,5 bars
- Capacité nominale du réservoir : 2,2 L, remplissage : 1,9 L



IMPORTANT: ne jamais jeter l'appareil dans la poubelle lorsque vous souhaitez l'éliminer : le faire traiter par le centre de recyclage ou de récupération des déchets le plus proche afin de participer à la préservation de l'environnement.

CONTENU DE LA BOÎTE

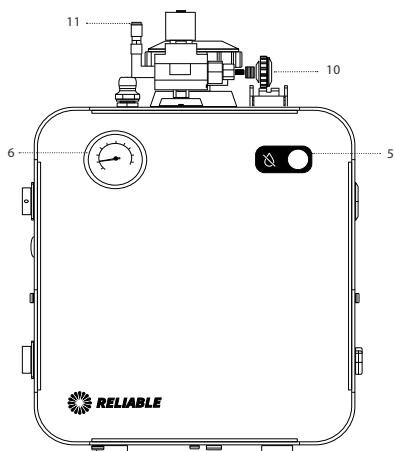
Assurez-vous d'avoir déballé tous les articles suivants :

1. 5100CD Nettoyeur à vapeur dentaire
2. Pistolet à vapeur 3000DA
3. Support du cordon pour fer à vapeur
4. Capuchon de sécurité
5. Entonnoir
6. Bâton de mesure du niveau d'eau

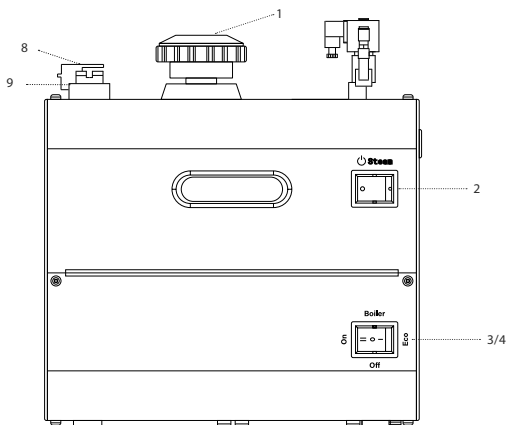
DESCRIPTION DU BOUILLEUR 5100CD

1. Capuchon de sécurité
2. Bouton d'alimentation de la vapeur
3. Bouton du bouilleur
4. Bouton du mode Éco
5. Témoin lumineux « niveau d'eau faible »
6. Jauge de pression
7. Support du cordon pour fer à vapeur
8. Mécanisme de verrouillage
9. Fiche Ilme
10. Cadran de volume de la vapeur
11. Connecteur rapide pour la vapeur

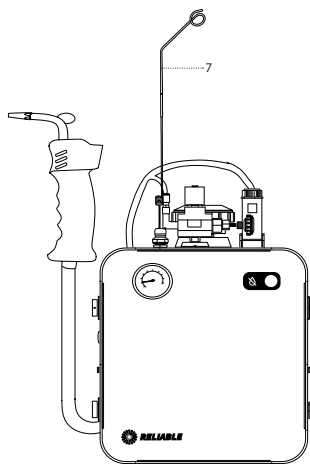
VUE AVANT



VUE LATÉRALE



BOUILLEUR AVEC PISTOLET À VAPEUR



ASSEMBLAGE DU BOUILLEUR

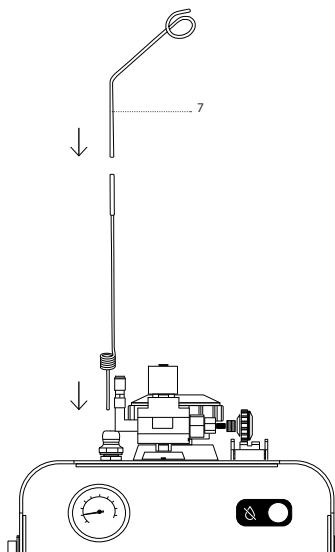
1. Retirer tous les emballages (y compris les sacs de protection) du bouilleur. Placer le poste sur une surface plane et solide.
2. Dévisser le capuchon de sécurité (1). Verser au maximum 8 tasses (1,9 L) d'eau dans le bouilleur pour le 5100CD. Utiliser l'entonnoir fourni et s'assurer de ne pas trop remplir le réservoir (vous pouvez également utiliser l'indicateur de niveau d'eau pour déterminer le niveau d'eau dans le réservoir de vapeur).

Remarque : l'utilisation d'eau distillée est conseillée pour prolonger la durée de vie du bouilleur. Vous pouvez utiliser de l'eau du robinet, mais devrez le nettoyer plus souvent. Consulter la section Entretien pour plus d'informations sur le nettoyage.

Instructions d'utilisation de l'indicateur de niveau d'eau: insérer complètement l'indicateur dans le réservoir. Placer votre doigt à l'extrémité de l'indicateur. Tout en maintenant l'extrémité, retirer l'indicateur du réservoir du bouilleur. La capacité du niveau d'eau s'affiche ensuite sur la mesure de l'indicateur.

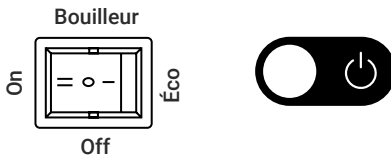
ASSEMBLAGE DU PISTOLET À VAPEUR

1. Retirer tous les emballages (y compris les sacs de protection et l'emballage extérieur) du pistolet à vapeur.
2. Insérer les deux pièces du support du cordon pour fer à vapeur (7) sur la bride au-dessus du bouilleur et fixer le ressort sur l'orifice du fer à vapeur à l'extrémité de la bobine, sur la paroi.
3. Connecter le pistolet à vapeur à la prise Ilme (9) et au raccord rapide vapeur (11) de la chaudière. Tournez le mécanisme de verrouillage (8) jusqu'à ce qu'il s'enclenche pour assurer une connexion complète.



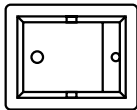
UTILISATION DU BOUILLEUR

1. Insérer la fiche dans la prise électrique. L'utilisation d'une rallonge avec votre bouilleur est déconseillée, elle réduirait la durée de vie de votre appareil. Si nécessaire, utiliser un fil de diamètre 14 de 6 pouces maximum.
2. Allumer le bouilleur en pressant le bouton du bouilleur en position « ON » (marche) (II). Lorsqu'il est en marche, l'alimentation principale s'allume.



3. Le bouilleur commence à chauffer. Attendez environ 20 minutes pour que la chaudière atteigne sa pression maximale. L'appareil est alors prêt à fonctionner.
4. Presser le bouton de la vapeur pour activer la vapeur. Appuyer sur la détente du pistolet à vapeur 3000DA pour libérer la vapeur.

Fer à repasser



REMARQUE: lorsque vous activez la vapeur pour la première fois après le démarrage du bouilleur, vous pourriez remarquer une diminution rapide de la pression : c'est tout à fait normal.

TÉMOIN LUMINEUX « NIVEAU D'EAU FAIBLE »

Le 5100CD est équipé d'un témoin lumineux « niveau d'eau faible ». Si le témoin est allumé, remplir immédiatement l'unité. Ne pas utiliser de produits parfumés ou contenant de l'alcool.



ASTUCE:

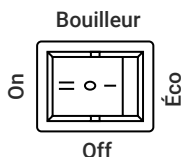
vous pouvez prolonger la durée de vie de votre bouilleur en remplissant le bouilleur avant que le témoin clignote. Exemple : s'il n'y a plus d'eau dans le bouilleur à 14 h chaque jour, remplir l'unité à midi.

ATTENTION:

s'il n'y a plus d'eau ou que son niveau est faible pendant des périodes prolongées, le bouilleur ou son élément pourrait être endommagé. Important : le témoin lumineux « niveau d'eau faible » est une sécurité, pas une fonctionnalité.

MODE ÉCO ET VEILLE

Le 5100CD dispose d'un mode Éco qui permet à l'appareil d'économiser de l'énergie lorsqu'il n'est pas utilisé. Grâce à ce mode, le bouilleur reste « prêt » et consomme 33 % d'énergie en moins**



Pour activer le mode ECO (état prêt), poussez le bouton en position ECO (I). La chaudière restera automatiquement en mode ECO. NE PAS VAPORISER en mode Eco. Il s'agit d'un mode d'état prêt pour aider à économiser de l'énergie. Pour réactiver la chaudière, poussez le bouton en position ON (II). L'appareil se réchauffe en 2 à 3 minutes et est prêt à fonctionner à la vapeur. Lorsque la chaudière atteint 3,5 bars / 50 PSI, elle est prête à produire de la vapeur.

REMARQUE IMPORTANTE : NE PAS UTILISER LA VAPEUR EN MODE ÉCO. CE MODE PERMET D'ÉCONOMISER DE L'ÉNERGIE. IL N'EST PAS PRÉVU POUR VAPORISER.

**En fonction de la consommation d'énergie requise pour chauffer entre le mode Éco et le.

NETTOYAGE DE L'UNITÉ DU BOUILLEUR

1. S'assurer que le bouilleur est éteint et qu'il n'y a aucune vapeur sous pression.
2. Débrancher l'unité.
3. Ouvrir le capuchon de sécurité et vider toute l'eau présente dans le réservoir.
4. Ajouter de l'eau fraîche du robinet et remettre le capuchon. Secouer/agiter le bouilleur dans le sens des aiguilles d'une montre pendant 5 secondes.
5. Retirer le capuchon de sécurité et vider l'eau présente dans le réservoir.

REMARQUE: s'il n'y a pas de sédiment dans l'eau, vous pouvez remplir le réservoir et l'utiliser. Dans le cas contraire, répéter les étapes 3 et 4 jusqu'à ce que l'eau soit claire.

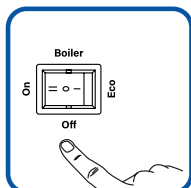
REMARQUE IMPORTANTE: l'utilisation de produits de nettoyage ou de vinaigre pour nettoyer l'unité est déconseillée. Si vous la nettoyez avec du vinaigre, le diluer à 8:1. S'assurer qu'il n'y a plus de produits de nettoyage et de vinaigre dans le réservoir avant de le réutiliser, ceux-ci pourraient endommager les pièces internes de l'unité.

CALENDRIER D'ENTRETIEN 5100CD

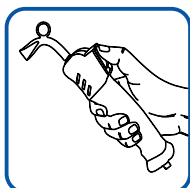
LE SOIR :

LIBÉRATION DE LA VAPEUR SOUS PRESSION

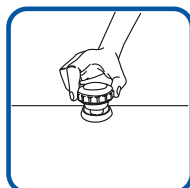
Pour prolonger la vie du bouilleur et de ses composants, nous vous recommandons d'effectuer cette tâche le soir.



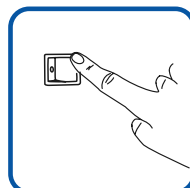
Mettre le bouton du bouilleur sur « off » (arrêt)



Presser le bouton de la vapeur sur la poignée du fer à vapeur jusqu'à ce que la pression soit nulle.



Ouvrir légèrement le capuchon de sécurité pour libérer le reste de la vapeur.

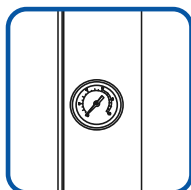


Pour terminer l'arrêt de l'unité, mettre le bouton de la vapeur sur « off » (arrêt).

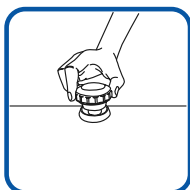
CHAQUE SEMAINE :

PURGE DU BOUILLEUR

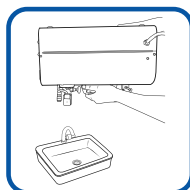
Pour éviter le dépôt de calcaire, vider le bouilleur chaque semaine



le matin ou lorsque le bouilleur est froid et que la pression est nulle.

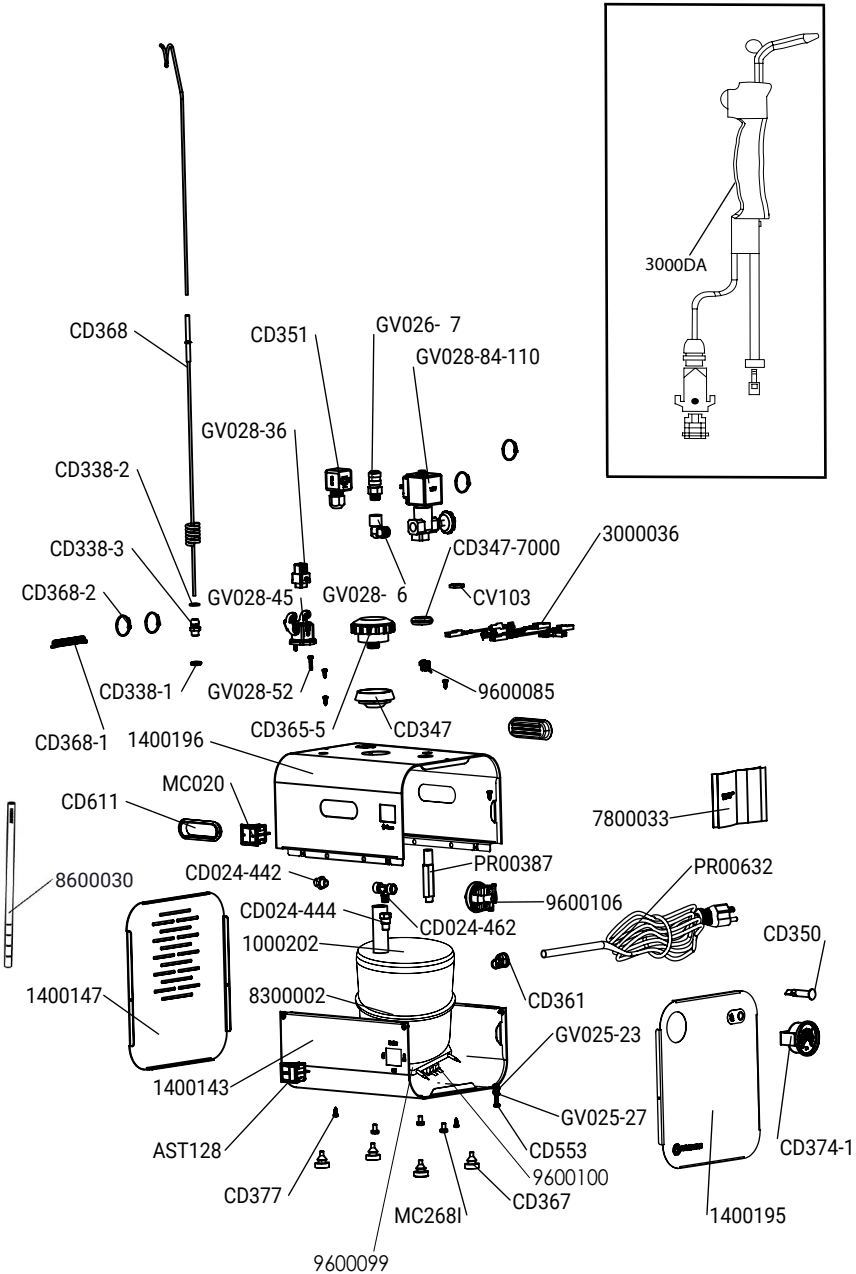


Le capuchon de sécurité doit être ouvert. Dans le cas contraire, le retirer complètement.



Retourner l'unité pour vider toute l'eau présente dans le réservoir. Ajouter de l'eau propre et recommencer si nécessaire pour retirer tous les sédiments.

Schéma des pièces 5100CD



GARANTIE DU RÉSERVOIR DE LA CHAUDIÈRE À VAPEUR

La présente garantie définit les conditions générales de garantie qui peuvent varier en fonction de la pièce ou du système couvert. La garantie pour des pièces ou systèmes particuliers est régie par la couverture définie dans la rubrique Garantie ainsi que par les autres dispositions de cette garantie limitée.

LA GARANTIE LIMITÉE DE CETTE CHAUDIÈRE À VAPEUR RELIABLE CONSTITUE LA SEULE GARANTIE EXPRESSE FOURNIE AVEC VOTRE NOUVELLE CHAUDIÈRE À VAPEUR RELIABLE. Toute autre garantie implicite ou expresse est réfutée dans les limites autorisées par la législation de votre région de garantie, dont, mais sans s'y limiter, les garanties de valeur marchande, d'adaptation à un usage particulier, de durabilité ou toute garantie pouvant découler de rapports d'affaires ou de pratiques commerciales. Certaines régions de garantie n'autorisent pas les limitations sur les garanties implicites ou leur durée de validité, et les restrictions ci-dessus pourraient ne pas vous être applicables. L'exécution des réparations et remplacements de pièces nécessaires par RELIABLE est le seul recours possible en vertu de cette garantie limitée sur les nouvelles chaudières à vapeur Reliable ou de toute garantie implicite. Reliable n'autorise aucune personne ni entité à créer pour elle toute autre obligation ou garantie en lien avec cette garantie limitée sur les chaudières à vapeur Reliable. La décision de réparer ou remplacer une pièce ou d'utiliser une pièce neuve ou reconditionnée sera prise par Reliable, à sa seule discrétion.

Garantie limitée sur les nouvelles chaudières à vapeur Reliable

Sous réserve de la couverture distincte de certaines pièces et des exclusions et limitations décrites ci-dessous, Reliable Corporation (« Reliable ») garantit la nouvelle chaudière à vapeur Reliable contre tout vice de matériel et de main-d'œuvre pendant un an à compter de la date d'achat initiale. En vertu de cette garantie limitée, le seul recours possible pour l'acheteur initial est la réparation de l'unité défectueuse par Reliable pour les défauts couverts. La réparation ou le remplacement de pièce sera effectué par Reliable sans frais pour l'acheteur initial si Reliable est informé du défaut couvert dans l'année qui suit la date d'achat initiale.

Reliable Corporation garantit le réservoir intérieur de la chaudière contre toute fuite pendant deux ans à compter de la date d'achat initiale de la nouvelle chaudière à vapeur Reliable dont le réservoir fait partie. En vertu de cette garantie limitée, le seul recours possible pour l'acheteur initial est le remplacement par Reliable du réservoir intérieur de la chaudière ou de l'unité défectueuse. La réparation ou le remplacement de pièce sera effectué par Reliable sans frais pour l'acheteur initial si Reliable est informé du problème dans l'année qui suit la date d'achat initiale. Si Reliable est avisé d'une réclamation en vertu de la garantie concernant le réservoir intérieur de la chaudière dans la deuxième année qui suit la date d'achat initiale de la nouvelle chaudière à vapeur Reliable, la garantie ne couvrira que le remplacement du réservoir intérieur, à l'exclusion de tous frais d'expédition.

La garantie limitée ne couvre aucun dommage à la nouvelle chaudière à vapeur Reliable ou à son réservoir qui résulte de la mauvaise installation, de l'usure normale, d'un accident, d'une mauvaise manipulation, d'une utilisation abusive, d'une catastrophe naturelle, d'une alimentation électrique insuffisante ou excessive, de conditions mécaniques ou environnementales anormales ou d'un démontage, d'une réparation ou d'une modification non autorisée. Cette garantie limitée ne couvre pas les dommages indirects, consécutifs ou accessoires pouvant être subis par un utilisateur ou découlant de l'utilisation d'une nouvelle chaudière à vapeur Reliable, y compris, mais sans s'y limiter, toute responsabilité quant aux réclamations de tiers pour dommages, et est limitée au montant payé par l'acheteur initial de la chaudière à vapeur Reliable à laquelle cette garantie limitée est applicable. Cette garantie limitée ne s'applique pas aux produits qui ont été modifiés ou dont les numéros de série sont manquants, ou qui n'ont pas été achetés directement à Reliable ou à un revendeur autorisé par Reliable à vendre la chaudière à vapeur Reliable.

Pour envoyer une demande de réparation en vertu de cette garantie, veuillez communiquer avec le service à la clientèle à l'adresse support@reliablecorporation.com ou appeler le

1-800-268-1649.

Veuillez noter que la preuve d'achat sera exigée et doit indiquer que vous êtes l'acheteur initial et que l'achat a été effectué directement auprès de Reliable Corporation ou d'un revendeur Reliable agréé. Veuillez également indiquer le modèle et le numéro de série de la chaudière à vapeur Reliable, répondre aux questions destinées à faciliter le diagnostic des problèmes potentiels et respecter les procédures de Reliable pour bénéficier du service de garantie.

Toute réclamation en vertu de la garantie doit respecter les conditions définies dans le présent document ou tout document à venir émis par Reliable concernant cette politique.

Toutes les réparations sont effectuées sur le site de Reliable Corporation, au

5-100 Wingold Ave,
North York, Ontario
Canada M6B 4K7

GARANTIE DES PRODUITS RELIABLE

Reliable Corporation (« Reliable ») garantit à l'acheteur original de ce produit que chaque produit vendu par Reliable (un « Produit Reliable ») est exempt de tout défaut de pièce et de main d'œuvre pour une période d'un an à compter de la date d'achat, s'il est utilisé et entretenu correctement. Sous réserve des conditions et des restrictions énoncées ci-dessous, Reliable réparera ou remplacera toute pièce d'un produit Reliable qui s'avère défectueuse en raison d'un défaut de fabrication ou de matériaux défectueux. Si le Produit Reliable défectueux n'est plus disponible et ne peut pas être réparé efficacement ou remplacé par un modèle identique, Reliable remplacera le Produit Reliable défectueux par un Produit Reliable actuel de valeur équivalente ou supérieure. Les pièces réparées ou les produits remplacés seront fournis par Reliable sur la base d'un échange, et seront soit neufs ou remis à neuf pour être fonctionnellement équivalents aux neufs. Si Reliable n'est pas en mesure de réparer ou de remplacer le Produit Reliable, elle remboursera la valeur actuelle du Produit Reliable au moment où la réclamation de garantie est réalisée.

Cette garantie limitée ne couvre aucun dommage subi par un Produit Reliable résultant d'une installation incorrecte, d'un accident, d'un abus, d'une mauvaise utilisation, d'une catastrophe naturelle, d'une alimentation électrique insuffisante ou excessive, de conditions mécaniques ou environnementales anormales, de l'usure et de la détérioration résultant de l'usure normale du produit, ou de tout démontage, réparation ou modification non autorisés. Cette garantie limitée ne couvre pas les dommages directs, indirects ou consécutifs dont peut être victime un utilisateur ou suite à l'utilisation d'un Produit Reliable, y compris mais sans s'y limiter, toute responsabilité pour des réclamations de tiers pour des dégâts, et se limite au montant payé par l'acheteur original du Produit Reliable auquel cette protection de garantie limitée s'applique. Cette garantie limitée ne s'applique pas aux produits qui ont été modifiés ou dont les numéros de séries sont manquants, ou aux produits non achetés directement auprès de Reliable ou d'un revendeur agréé pour vendre des Produits Reliable.

Cette garantie limitée est l'unique garantie qui s'applique à tout Produit Reliable, elle remplace toutes conditions qui peuvent être contenues dans un autre document ou bon de commande et ne peut être transformée ou modifiée, sauf dérogation expressément écrite de Reliable.

Pour obtenir une réparation ou un remplacement en vertu des conditions de cette garantie, veuillez contacter notre service à la clientèle au 1-800-268-1649 ou par courriel à support@reliablecorporation.com. Il vous sera demandé d'envoyer le reçu original par fax ou courriel. Le reçu doit prouver que vous êtes l'acheteur original, que le produit a été acheté directement chez nous ou chez un revendeur agréé par Reliable et que la réclamation de garantie est effectuée pendant la période de garantie. Un numéro d'autorisation de retour (N° AR) vous sera donné et il vous sera demandé d'expédier le produit défectueux accompagné de la preuve d'achat et du N° AR, les frais d'assurances étant prépayés à l'adresse suivante :

Reliable Corporation
100 Wingold Avenue, Unit 5
Toronto, Ontario
Canada M6B 4K7

Les expéditions avec fret à destination seront refusées. Le risque de perte ou d'endommagement lors du transport sera assumé par le client. Une fois que Reliable aura reçu le produit défectueux, elle initie

Si vous avez des questions concernant la présente garantie, vous pouvez écrire à : @reliablecorporation.com



1 800 268 1649
reliablecorporation.com

MANUAL DE INSTRUCCIONES 5100CD
LIMPIADOR A VAPOR PARA
LABORATORIO DENTAL
ESPAÑOL



Para obtener ayuda inmediata con su compra, p n ase en contacto con nosotros para que podamos ayudarle a resolver su problema.

Puede ponerse en contacto con nosotros de forma ratuita en el **1-800-268-1649** o por correo electrnico en **support@reliablecorporation.com**

RELIABLE. SIEMPRE A SU LADO.

En Reliable, hacemos lo que amamos y nos enorgullece mucho hacerlo. Usted siempre quiere lo mejor para las personas, los lugares y las cosas que importan en su vida, desde donde vive hasta lo que viste. Nosotros también. Desde el inicio, encaramos cada producto con la atención al detalle de un artesano y con la pasión necesaria para hacerlo a la perfección. La calidad, la funcionalidad, el diseño y el servicio al cliente juegan un papel fundamental en nuestro objetivo de ofrecerle lo que necesita.

Con su construcción en acero inoxidable, la 5100CD le permitirá obtener los beneficios de la limpieza de joyas con vapor en un formato compacto y cómodo.

Para su seguridad y para disfrutar completamente de las ventajas de este producto, tómese unos minutos para leer toda las medidas de seguridad y las instrucciones de cuidado. Tenga este manual a mano y consulte la garantía para su referencia.

INSTRUCCIONES DE SEGURIDAD IMPORTANTES

Lea todas las instrucciones antes del uso. Guarde las instrucciones para referencia futura.

1. Para evitar riesgos de choque eléctrico, no sumerja la caldera en agua ni en otros líquidos.
2. Evite que el cable entre en contacto con superficies calientes.
3. Deje siempre que el aparato se enfríe antes de guardarlo.
4. Coloque siempre el equipo en una ubicación segura (por ejemplo, en una mesa o mostrador) cuando lo esté utilizando.
5. No mueva el equipo sin primero desenchufarlo.
6. Siempre desconecte el equipo de la toma antes de llenarlo con agua o antes de vaciarlo. Tenga cuidado de no volcar agua sobre el equipo al llenarlo.
7. Use agua corriente o agua destilada. No use líquidos con perfume ni productos que contengan alcohol.
8. Mantenga el equipo desconectado cuando no esté en uso.
9. No use el equipo si el cable está dañado. Si el cable parece dañado, lleve el equipo al fabricante o a un agente de servicio técnico para reparar el cable.
10. No use el equipo si se cayó o está dañado. No desarme el equipo. Si lo vuelve a armar incorrectamente, podría sufrir un choque eléctrico. Envíe el equipo a un centro de servicio autorizado para su reparación.
11. No use otro equipo de alta potencia en el mismo circuito que este equipo.
12. El equipo debe estar conectado a tierra. No modifique el enchufe ni intente quitar esta parte del equipo.
13. Use la unidad con cuidado. Podría quemarse si toca superficies de metal calientes o el vapor.
14. Los niños pequeños no deben usar este equipo.
15. Al usar el equipo, nunca desenrosque ni quite la tapa de seguridad (1) cuando la caldera esté bajo presión.

16. Antes de quitar la tapa, compruebe que no haya más vapor en la cámara de vapor. Para hacerlo, gire el botón de la caldera (3) hacia la posición de apagado (OFF) y presione el botón de encendido de vapor (2) para xpulsar todo el vapor restante.
17. Para garantizar su seguridad, reemplace siempre la tapa de seguridad (1) y todos los demás componentes por piezas de repuesto originales.

SOLO PARA USO EN EL HOGAR Y USO COMERCIAL SIMPLE

CARACTERÍSTICAS

- Luz indicadora de nivel bajo de agua
- Protección de termostato con apagado automático
- Agua corriente o agua destilada
- Presión operativa de hasta 50 PSI
- Hasta 4 horas de vapor continuo
- Modo de ahorro

DATOS TÉCNICOS

- Potencia de la caldera: 1000 W
- Presión de funcionamiento: 3,5 BAR
- Capacidad nominal del tanque de este modelo: 2,2 L (llenar a 1,9 L)



IMPORTANTE: Cuando quiera tirar el equipo, no lo haga en la basura. Acérquese a la estación de reciclaje o centro de recolección de residuos más cercanos a su domicilio para que le den el tratamiento necesario. Así, contribuirá al cuidado del medio ambiente.

CONTENIDO DE LA CAJA

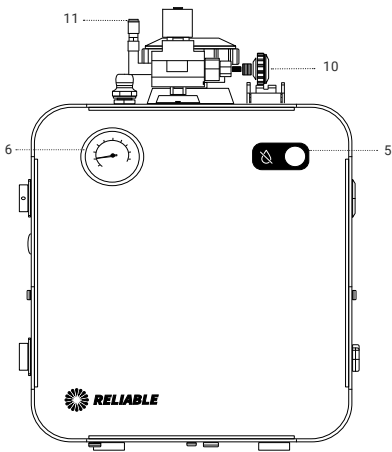
Verifique que haya desembalado todos los siguientes elementos:

1. Limpiador dental a vapor 5100CD
2. Pistola de vapor 3000DA
3. Soporte del cable de vapor
4. Tapa de seguridad
5. Embudo
6. Vara de medición de nivel de agua

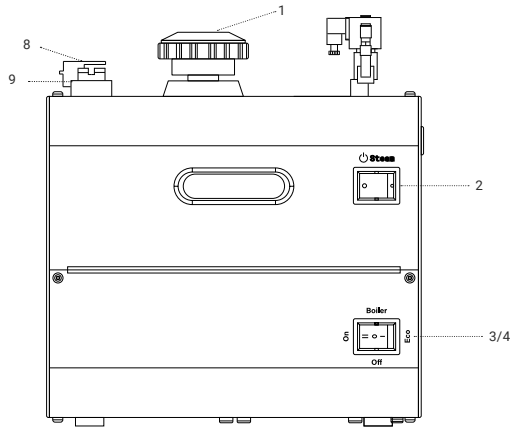
DESCRIPCIÓN DE LA CALDERA 5100CD

- | | | |
|--------------------------------|---|----------------------------------|
| 1. Tapa de seguridad | 4. Botón de modo de ahorro | 8. Mecanismo de bloqueo |
| 2. Botón de encendido de vapor | 5. Luz indicadora de nivel bajo de agua | 9. Enchufe ILME |
| 3. Botón de la caldera | 6. Indicador de presión | 10. Selector de volumen de vapor |
| | 7. Soporte del cable de vapor | 11. Conexión rápida de vapor |

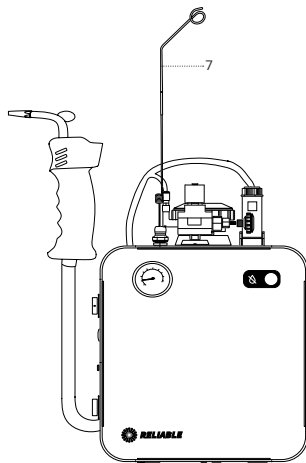
VISTA FRONTAL



VISTA LATERAL



CALDERA CON ACCESORIO DE PISTOLA DE VAPOR



ARMADO DE LA CALDERA

1. Extraiga la caldera de la envoltura y verifique que se ha quitado todo el embalaje (incluidas las bolsas protectoras). Coloque la estación sobre una superficie plana y sólida.
2. Desatornille la tapa de seguridad (1). Llénela con un máximo de 8 tazas (1,9 L) de agua para el modelo 5100CD. Use el embudo provisto y compruebe que el tanque no rebose (también puede usar la vara de nivel de agua para determinar el nivel de agua en el tanque de vapor).

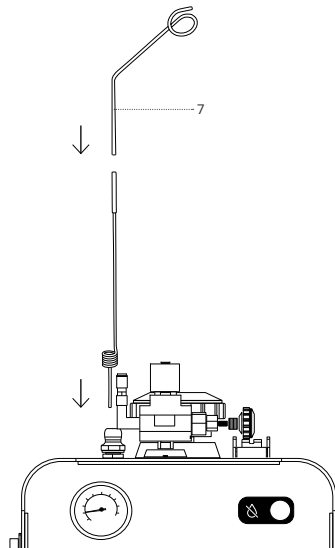
Nota: Para proteger la vida útil de la caldera, le recomendamos que use agua destilada. Puede usar agua corriente, pero esto requiere mayor limpieza. Consulte la sección de mantenimiento para obtener más información sobre la limpieza.

Cómo usar la vara de nivel de agua: Inserte la vara entera en el tanque.

Coloque un dedo en el extremo de la vara. Mientras sostiene el extremo, quite la vara del tanque de la caldera. La capacidad del nivel de agua quedará marcada en la vara para indicar el nivel.

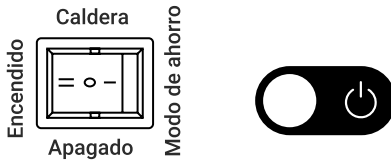
ARMADO DE LA PISTOLA DE VAPOR

1. Quite la pistola de vapor del embalaje y verifique que se han quitado todas las bolsas protectoras y todo el empaque.
2. Inserte el soporte del cable de vapor (7) de dos piezas en la brida de la parte superior de la caldera y coloque el resorte de la manguera de vapor en el extremo de bobina de la vara.
3. Conecte la pistola de vapor al enchufe llme (9) y al enchufe rápido de vapor (11) en la caldera. Gire el mecanismo de bloqueo (8) hasta que encaje para garantizar una conexión correcta.



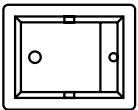
CÓMO USAR LA CALDERA

1. Inserte el enchufe en la toma eléctrica. No se recomienda que use cables de extensión para enchufar la caldera. Esto podría reducir la vida útil de la unidad. Si necesita usar un cable de extensión, este no debe ser de más de 6 ft (2 m) y de cable calibre 14.
2. Presione el botón de la caldera a la posición de encendido (ON) (II) para encender la caldera. Cuando la caldera se encienda, se encenderá también la luz de la alimentación principal.



3. La caldera comenzará a calentar. Espere aproximadamente 20 minutos para que la caldera alcance la presión máxima. En este momento, la unidad está lista para funcionar.
4. Para activar el vapor, presione el botón de vapor. Presione el gatillo de la pistola de vapor 3000DA para liberar el vapor.

⏻ VAPOR



NOTA: Cuando activa el vapor por primera vez luego de encender la caldera, podría notar un rápido descenso de presión. Esto es normal en el primer uso.

LUZ INDICADORA DE NIVEL BAJO DE AGUA

La caldera 5100CD está equipada con una luz indicadora de nivel bajo de agua. Si dicha luz está encendida, llene la unidad de inmediato. No use productos con perfume ni otros productos que puedan tener alcohol.



CONSEJO:

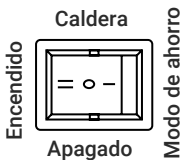
Si llena el tanque antes de que se encienda la luz indicadora de nivel bajo de agua, alargará la vida útil de la caldera. Por ejemplo, si su caldera se queda sin agua a las 2:00 p. m. todos los días, llene el tanque al mediodía.

PRECAUCIÓN:

Si el equipo pasa períodos extensos sin agua o con poca agua, se podría dañar la caldera o el dispositivo interno. Importante: La luz indicadora de nivel bajo de agua es una medida de seguridad, no una función.

MODO DE AHORRO Y EN ESPERA

La caldera 5100CD está equipada con un modo de ahorro (Eco Mode). Esta característica ayuda a ahorrar energía cuando no se la está usando. El modo de ahorro mantiene a la caldera lista y consume un 33 % menos de energía**



Para activar el modo ECO (modo espera), seleccione el botón (Boiler) caldera en la posición ECO (I). La caldera permanecerá automáticamente en Modo ECO. NO USE VAPOR en Modo Eco. Este es un modo de espera para ayudar a ahorrar energía. Para reactivar la caldera, pulse el botón hasta la posición ON (II). La unidad se calentará en 2 - 3 minutos y estará lista para su uso. Cuando la caldera alcance 3.5Bar / 50 PSI la caldera estará lista para usar vapor.

NOTA IMPORTANTE: NO USE VAPOR EN MODO ECO. ESTE ES UN MODO DE ESPERA PARA AYUDAR A AHORRAR ENERGIA. NO ESTÁ DISEÑADO PARA USAR CON VAPOR.

**En comparación con el consumo de energía requerido para calentar del modo de ahorro al modo de vapor listo.

LIMPIEZA DE LA CALDERA

1. Compruebe que la caldera esté apagada (OFF) y que no haya presión de vapor en la unidad.
2. Desenchúfela de la pared.
3. Abra la tapa de seguridad y vacíe el tanque.
4. Agregue agua limpia al tanque y vuelva a colocar la tapa de seguridad. Sacuda o agite la caldera en sentido contrario a las agujas del reloj durante 5 segundos.
5. Quite la tapa de seguridad y vacíe el tanque.

NOTA: Si el agua no tiene sedimentos, puede llenar el tanque y volver a usar la caldera. Si observa sedimentos, repita los pasos 3 y 4 hasta que el agua salga cristalina.

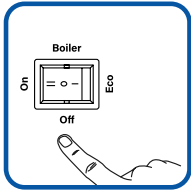
NOTA IMPORTANTE: No recomendamos usar productos de limpieza ni vinagre para limpiar la unidad. Si limpia la unidad con vinagre, dilúyala a una proporción de 8:1. Compruebe que no haya restos de productos de limpieza ni de vinagre en el tanque antes de usar el equipo. Si no se eliminan completamente los restos de productos de limpieza o el vinagre, se pueden dañar las piezas internas del producto.

CRONOGRAMA DE MANTENIMIENTO PARA EL MODELO 5100CD

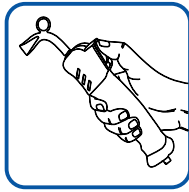
AL TERMINAR LA JORNADA:

LIBERAR LA PRESIÓN DE VAPOR

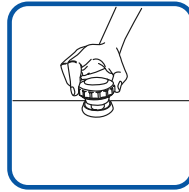
Para alargar la vida útil de la caldera y de sus componentes, recomendamos llevar adelante esta tarea al final de la jornada.



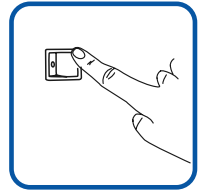
Apague el interruptor de la caldera.



Mantenga presionado el botón de vapor de la manija de la pistola de vapor hasta que la presión caiga a cero.



Abra un poco la tapa de seguridad de llenado para que se libere el resto del vapor.

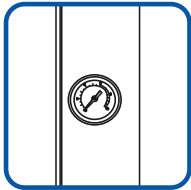


Para completar el apagado de la unidad, apague el interruptor de vapor.

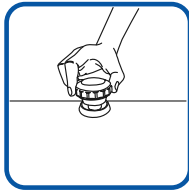
TODAS LAS SEMANAS:

VACÍE LA CALDERA

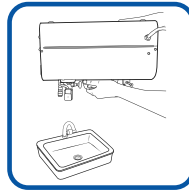
Para evitar depósitos de sarro, debe drenar la caldera todas las semanas.



Esto debe hacerse por la mañana o cuando la caldera esté con presión cero.

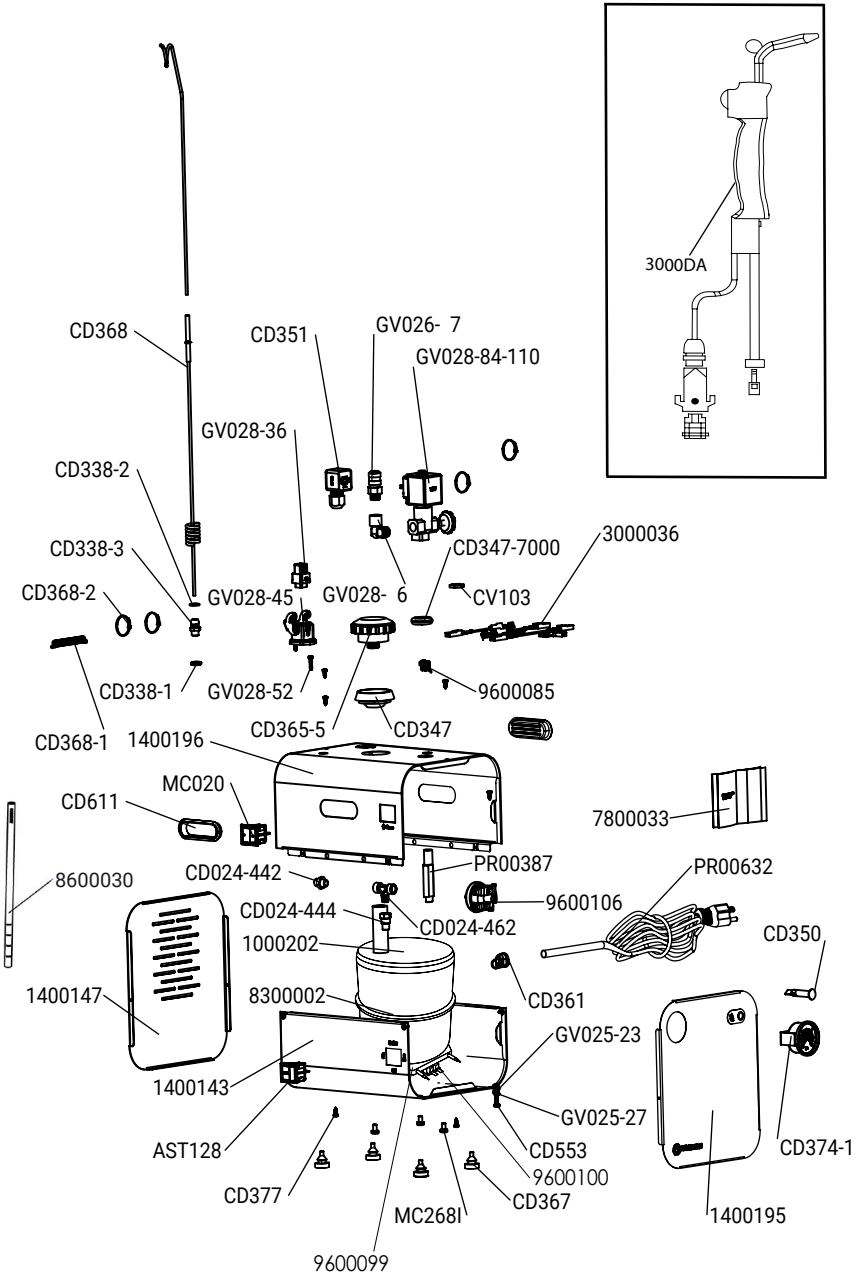


La tapa de seguridad debe estar abierta. Quite la tapa si todavía está puesta.



Dé vuelta la unidad para drenar toda el agua del tanque. Agregue agua limpia y repita el proceso si es necesario, en caso de que todavía haya sedimentos.

GRÁFICO DE LAS PIEZAS DEL MODELO 5100CD



GARANTÍA DEL DEPÓSITO DE LA CALDERA DE VAPOR

Esta garantía contiene términos y condiciones que pueden variar según la pieza o el sistema cubiertos. Una garantía para piezas o sistemas específicos se rige por la cobertura establecida en dicha sección de la garantía, así como por otras disposiciones en esta Garantía limitada.

LA GARANTÍA LIMITADA DE ESTA CALDERA DE VAPOR RELIABLE ES LA ÚNICA GARANTÍA EXPLÍCITA RELACIONADA CON SU NUEVA CALDERA DE VAPOR RELIABLE. Todas las otras garantías o condiciones implícitas o explícitas se rechazan en la mayor medida posible, según lo permita la ley, en su Región de garantía, donde se pueden incluir, entre otras, las garantías y condiciones implícitas de comerciabilidad, idoneidad para un propósito particular, durabilidad o las que surjan durante una negociación o un uso de comercio. Algunas Regiones de garantía no permiten limitaciones en las garantías o condiciones implícitas o en la duración de una garantía o condición implícita, por lo que es posible que las limitaciones anteriores no se apliquen en su caso. La ejecución de reparaciones necesarias y el reemplazo de piezas por parte de RELIABLE es la única solución para esta Garantía limitada de la nueva caldera de vapor Reliable u otras garantías implícitas. Reliable no autoriza a ninguna persona ni entidad a generar ninguna otra obligación o responsabilidad relacionada con la Garantía limitada de la caldera de vapor Reliable. La decisión de reparar o reemplazar alguna pieza, o de utilizar una pieza nueva o reparada, la tomará Reliable, a su propia discreción.

Garantía limitada de la nueva caldera de vapor Reliable

Sujeto a una cobertura por separado para ciertas piezas y a las exclusiones y limitaciones establecidas a continuación, Reliable Corporation ("Reliable") ofrece una garantía para la nueva caldera de vapor Reliable contra defectos en los materiales y en la fabricación durante un año a partir de la fecha de compra original. La única solución disponible para el comprador original en esta Garantía limitada es la reparación de las unidades defectuosas por parte de Reliable para los defectos descubiertos. La reparación o el reemplazo de piezas será realizada por Reliable sin costo para el comprador original cuando se notifique a Reliable sobre el defecto descubierto dentro del primer año de la fecha de compra original.

Reliable Corporation ofrece una garantía contra fugas para la pieza del tanque interno de la caldera durante dos años a partir de la fecha original de compra de la nueva caldera de vapor Reliable que cuenta con dicha pieza. La única solución disponible para el comprador original en esta Garantía limitada es el reemplazo del tanque interno de la caldera de vapor en la unidad defectuosa por parte de Reliable. La reparación o el reemplazo de piezas será realizado por Reliable sin costo para el comprador original cuando se notifique a Reliable dentro del primer año de la fecha de compra original.

Si se notifica a Reliable sobre un reclamo de garantía por el tanque interno de la caldera de vapor durante el segundo año a partir de la fecha de compra original de la nueva caldera de vapor Reliable, la garantía cubrirá el reemplazo del tanque interno de la caldera de vapor y excluirá todos los costos de envío.

Esta garantía limitada no cubre ningún daño a la nueva caldera de vapor Reliable o al tanque de la caldera de vapor que sea consecuencia de una instalación inadecuada, uso y desgaste, accidente, abuso, uso indebido, desastre natural, suministro eléctrico insuficiente o excesivo, condiciones mecánicas o ambientales anormales, o a cualquier desmontaje, reparación o modificación no autorizados. Esta garantía limitada no se extiende a ningún daño indirecto, consecuente o incidental que pueda sufrir un usuario por el uso de la nueva caldera de vapor Reliable, lo que incluye, entre otros, cualquier responsabilidad por reclamaciones de terceros por daños; y se limita al monto pagado por el comprador original de la caldera de vapor Reliable con respecto al cual se aplica esta garantía limitada. Esta garantía limitada no se aplica a los productos que han sido alterados o a los que les faltan números de serie, o a los productos que no se han comprado directamente en Reliable o en un distribuidor autorizado por Reliable para vender la caldera de vapor Reliable..

Para presentar un reclamo de servicio de garantía dentro de los términos de esta garantía, póngase en contacto con el servicio al cliente al correo electrónico support@reliablecorporation.com o llame al 1-800-268-1649.

Tenga en cuenta que se requerirá un comprobante de compra que refleje que usted es el comprador original y que la compra se realizó directamente en Reliable Corporation o en un distribuidor autorizado de Reliable. Proporcione también el modelo y el número de serie de la caldera de vapor Reliable, responda a las preguntas diseñadas para ayudarlo a diagnosticar posibles problemas y siga los procedimientos de Reliable para obtener el servicio de garantía.

Cualquier reclamo de garantía debe cumplir con los términos establecidos en este documento o en cualquier documento posterior emitido por Reliable en relación con esta política.

Todas las reparaciones se realizan en las instalaciones de Reliable Corporation, en

5-100 Wingold Ave,
North York, Ontario
Canada M6B 4K7

GARANTÍA DE LOS PRODUCTOS RELIABLE

Reliable Corporation ("Reliable") garantiza al comprador original de sus productos que todas las unidades vendidas por Reliable (un "Producto Reliable") se encuentran libres de defectos de material y de mano de obra durante el período de un año a partir de la fecha de compra, si son utilizadas correctamente y han recibido el mantenimiento adecuado. En virtud de las condiciones y limitaciones establecidas a continuación, Reliable reparará o reemplazará la pieza de un Producto Reliable que demuestre estar defectuosa a causa de material o fabricación inadecuadas. Si el Producto Reliable defectuoso deja de estar disponible y no puede ser reparado efectivamente o reemplazado por un modelo idéntico, Reliable cambiará el Producto Reliable defectuoso por un Producto Reliable vigente de igual o mayor valor. Las piezas de recambio o repuestos serán suministrados por Reliable a cambio de las piezas originales, y serán piezas nuevas o piezas que estarán reacondicionadas para convertirse en productos funcionalmente equivalentes a piezas nuevas. Si Reliable no puede reparar o reemplazar un Producto Reliable, la compañía reembolsará el valor del Producto Reliable que esté vigente al momento de reclamar la garantía.

Esta garantía limitada no cubre los daños que sufra un Producto Reliable como resultado de una instalación inadecuada, accidente, abuso, uso incorrecto, desastre natural, suministro de energía eléctrica insuficiente o excesivo, condiciones mecánicas o ambientales anormales, desgaste provocado por el uso normal del producto, o cualquier desarme, reparación o modificación no autorizada. Esta garantía limitada no se extiende a ningún daño indirecto, resultante o accidental que el usuario pueda sufrir o que pueda causar el uso de un Producto Reliable, incluyendo, entre otros, la responsabilidad ante los reclamos presentados por terceros; y se limita al monto pagado por el comprador original del Producto Reliable respecto del cual tiene aplicación esta protección de garantía limitada. Esta garantía limitada no es válida para los productos que hayan sido modificados o que no tengan número de serie, o para los productos que no hayan sido comprados directamente a Reliable o a través de un vendedor certificado que cuente con nuestra autorización para comerciar los Productos Reliable.

Esta garantía limitada es la única garantía que tiene aplicación a todos los Productos Reliable, reemplaza todos los términos que puedan estar contenidos en cualquier otro documento u orden de compra, y no puede ser alterada o modificada excepto que Reliable así lo haya autorizado expresamente por escrito.

Para obtener una reparación o un reemplazo bajo los términos de esta garantía, póngase en contacto con nuestro grupo de servicio al cliente llamando al 1-800-268-1649 o escriba a support@reliablecorporation.com. Se le pedirá que mande un recibo original por fax o por correo electrónico.

Este comprobante debe demostrar que usted es el comprador original, que el producto fue adquirido directamente de nuestras oficinas o de un vendedor de Reliable autorizado y que el reclamo de la garantía se realiza dentro del período correspondiente. Usted recibirá un número de autorización (RA#) y deberá enviar el producto defectuoso, junto con el comprobante de compra, el RA# y los seguros pagados por adelantado, a la siguiente dirección:

Reliable Corporation
100 Wingold Avenue, Unit 5
Toronto, Ontario
Canada M6B 4K7

Los costos de envío por cobrar serán rechazados. El riesgo de sufrir una pérdida o daño en tránsito será asumido por el cliente. Una vez que Reliable reciba el producto defectuoso, la compañía iniciará el proceso de reparación o reemplazo.

Si tiene preguntas sobre esta garantía, puede escribir a la siguiente dirección:
@reliablecorporation.com