



# ROLL TOWEL DISPENSER | TD0216

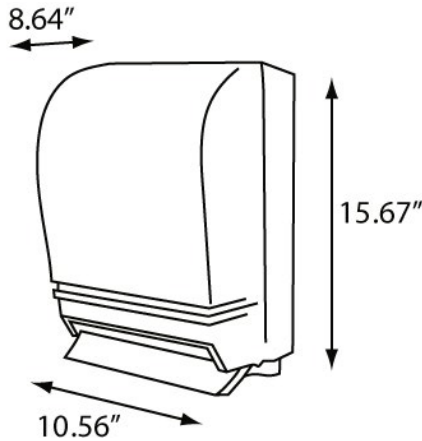
## Auto-Transfer Push Bar Roll Towel Dispenser

### Product Overview

The Auto-Transfer Push Bar Lever Towel Dispenser allows the use of an arm or elbow to dispense paper, this helps to prevent cross contamination. An automatic transfer system eliminates stub roll waste.

### Product Features:

- Classic look, timeless design, smooth and quiet
- Easy loading
- Double latch key lock with standard metal key
- Automatic transfer system eliminates stub roll waste
- User can dispense paper with an arm or elbow
- Impact resistant, durable plastic cover and plastic body
- ADA Compliant



More information and images available online.



MODEL #	COLOR	
TD0216-02	BLACK TRANSLUCENT	02
TD0216-03	WHITE TRANSLUCENT	03

### Specifications:

Dimensions (in)	10.56" w x 15.67" h x 8.64" d
Weight (lb)	4.75 lb
Key Type	1
Capacity	8"W x 8"D Roll Towel
Case Pack	1 (1.15 <sup>3</sup> )
Pallet Qty	90 units