

**Metal Single Roll Standard Tissue Dispenser**

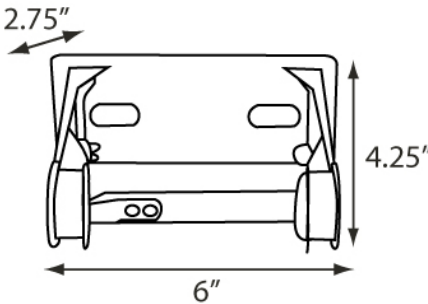
**Product Overview**

The Standard Single Roll Tissue Dispenser features tension springs to reduce paper from free spinning. The units are easy to load and service, and have concealed self-locking mechanisms to prevent theft.



**Product Features:**

- Tension springs reduce paper from free spinning
- Easy to load and service
- Concealed self-locking mechanism to prevent theft
- Minimum 1-1/2" core diameter



**More information and images available online.**

| MODEL #   | COLOR         |    |
|-----------|---------------|----|
| RD0381-12 | BRIGHT CHROME | 12 |

**Specifications:**

|                 |                          |
|-----------------|--------------------------|
| Dimensions (in) | 6.00"w x 4.25"h x 2.75"d |
| Weight (lb)     | 0.42 lb                  |
| Key Type        | N/A                      |
| Capacity        | One Standard Tissue Roll |
| Case Pack       | 12 (1.02' <sup>3</sup> ) |
| Pallet Qty      | 1944 units               |