

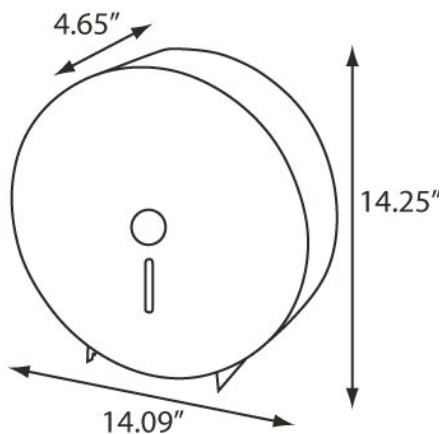
Single 14" Jumbo Tissue Dispenser

Product Overview

The Single 14" Jumbo Roll Tissue Dispenser offers a simplistic design with modern appeal. The cover and back are hinged together, making the unit one piece. A front window allows for easy view of paper supply.

Product Features:

- Design offers simplistic & modern appeal
- Window allows for easy view of paper supply
- Cover & back are hinged together (making it one piece)
- Holds up to a 14" roll with a 2-1/4" core
- Works with cores as small as 1-3/4"



More information and images available online.



MODEL #	COLOR	
RD0348-09	BRUSHED STAINLESS	09
RD0348-17	WHITE	17

Specifications:

Dimensions (in)	14.09" w x 14.25" h x 4.65" d
Weight (lb)	4.05 lb
Key Type	13
Capacity	14" Jumbo Roll Tissue
Case Pack	6 (4.25 ³)
Pallet Qty	90 units