

Single 13" Jumbo Tissue Dispenser

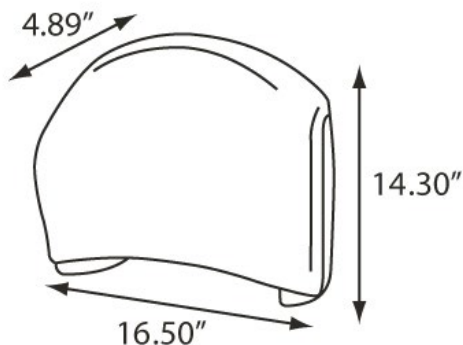
Product Overview

The RD0330 Single 13" Jumbo Roll Tissue Dispenser holds universal brands of jumbo tissue with a 3-3/8" core. Tissue is covered for maximum hygiene. Translucent cover enable easy detection of low paper supply.



Product Features:

- 13" Single Roll Jumbo Tissue Dispenser
- Tissue is covered for maximum hygiene and efficiency
- Translucent cover allows for a view of the paper supply
- Durable lock prevents theft and waste
- ADA Compliant



More information and images available online.

MODEL #	COLOR
RD0330-02	BLACK TRANSLUCENT 02

Specifications:   

Dimensions (in)	16.50"w x 14.30"h x 4.89"d
Weight (lb)	2.35 lb
Key Type	1
Capacity	13" Jumbo Roll Tissue
Case Pack	4 (3.25 ^{r3})
Pallet Qty	100 units