

**7.5" Mini Twin Standard Tissue Dispenser**

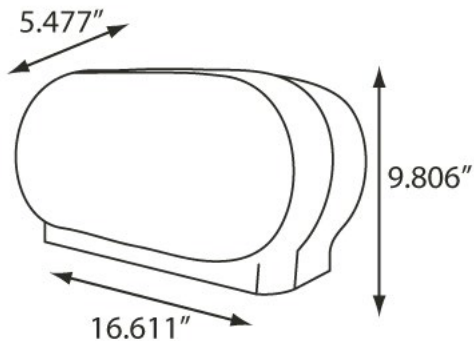
**Product Overview**

The 7.5" Mini Twin Tissue Dispenser is easy to use and install. This tissue dispenser uniquely holds two 7.5" rolls of toilet tissue; perfect for facilities that need a little more than a standard roll but may not have space for a true jumbo roll tissue dispenser.



**Product Features:**

- Holds two 7.5" standard core tissue rolls
- Compact design with a hinged cover
- Second roll cannot be used until the first roll is completely gone, reduces waste
- Heavy duty lock prevents theft
- Translucent cover for easy view of paper



**More information and images available online.**

MODEL #	COLOR	
RD0323-02	BLACK TRANSLUCENT	02
RD0323-03	WHITE TRANSLUCENT	03

**Specifications:**  

Dimensions (in)	16.61"w x 9.80"h x 5.47"d
Weight (lb)	2.50 lb
Key Type	1
Capacity	Two 7.5" Tissue Rolls
Case Pack	4 (2.60 <sup>3</sup> )
Pallet Qty	120 units