

**Mini Twin Standard Tissue Dispenser**

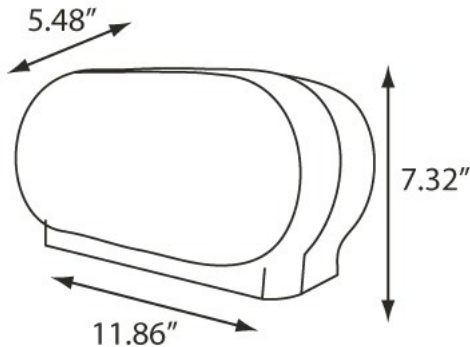
**Product Overview**

The Mini Twin Tissue Dispenser is easy to use and install. Dispenser uses standard toilet tissue paper up to 5" in diameter with a 1-1/2" core. Access to a reserve roll once the first roll is completely used. Add "G" to model number for the micro core option.



**Product Features:**

- Compact design with a hinged cover
- Second roll cannot be used until the first roll is completely gone, reduces waste
- Heavy duty lock prevents theft
- Translucent cover for easy view of paper supply



**More information and images available online.**

MODEL #	COLOR	
RD0321-02	BLACK TRANSLUCENT	02
RD0321-03	WHITE TRANSLUCENT	03
RD0321-02G	BLACK TRANSLUCENT	02
RD0321-03G	WHITE TRANSLUCENT	03

**Specifications:**   

Dimensions (in)	11.86" w x 7.32" h x 5.48" d
Weight (lb)	1.60 lb
Key Type	1
Capacity	Two Standard Tissue Rolls
Case Pack	6 (2.05 <sup>r3</sup> )
Pallet Qty	252 units