

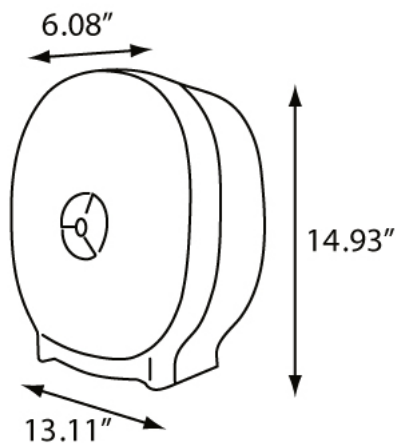
**4-Roll Carousel "Turnado" Tissue Dispenser**

**Product Overview**

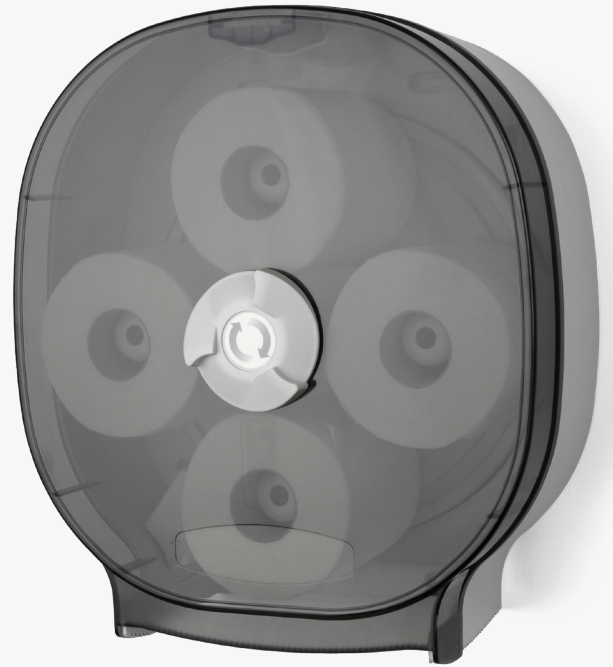
The 4-Roll Carousel Standard Tissue Dispenser features a roll advance mechanism that ensures that a roll must be completely used before switching to a new one. This unit holds any standard household tissue roll with a 1-1/2" core.

**Product Features:**

- 4 station conventional tissue carousel
- Towel is completely covered for maximum hygiene
- Vandal-proof, break resistant, chemical and flame resistant
- Made of tough impact resistant material



**More information and images available online.**



MODEL #	COLOR
RD0044-01	DARK TRANSLUCENT <b>02</b>

**Specifications:**

Dimensions (in)	13.11"w x 14.93"h x 6.08"d
Weight (lb)	3.55 lb
Key Type	2
Capacity	Four Standard Tissue Rolls
Case Pack	1 (.73 <sup>3</sup> )
Pallet Qty	144 units