

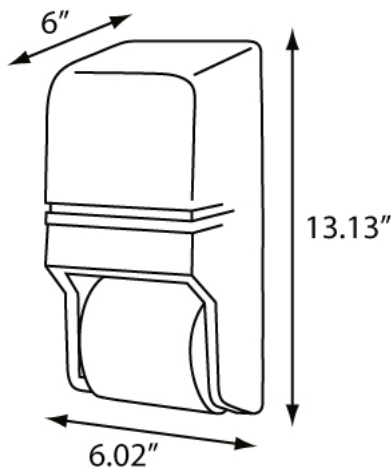
Two-Roll Standard Tissue Dispenser

Product Overview

The Two Roll Standard Tissue Dispenser with a metal back is easy to use and install. The modern design is sure to compliment any decor. The dispenser uses standard toilet tissue paper up to 5" in diameter with a 1-1/2" core. Access to reserve roll is accessible once lower roll is completely used.

Product Features:

- Space-saving design
- Double-latch lock prevents theft
- Heavy gauge steel back constructed for maximum strength
- Holds two standard rolls



More information and images available online.



MODEL #	COLOR	
RD0025-01	DARK TRANSLUCENT	01
RD0025-03	WHITE TRANSLUCENT	03

Specifications:   

Dimensions (in)	6.02"w x 13.13"h x 6"d
Weight (lb)	2.10 lb
Key Type	1
Capacity	Two Standard Tissue Rolls
Case Pack	6 (2.28 ³)
Pallet Qty	210 units