

storm HIGH SPEED HAND DRYER

Hand Dryer²

LED Sensor

allows user to maximize the dryers efficiency



Antibacterial Coating

inhibits and reduces the ability for micro-organisms to grow

Innovative Absorbent Ceramic Plate (optional)

captures water runoff and keeps floors safe and dry

Adjustable Air Speed

for customizable settings that will maximize efficiency

On/Off Heater Switch



Removable Drip Tray

optional for high volume areas

Super 3-Layer HEPA Filter

HEPA, carbon, anti-microbial filter eliminates over 99% of airborne bacteria



MODEL: HD0983 | ULTRA SERIES



MODEL NUMBER & COLOR

HD0983-08, HD0984-08, HD0985-08	Platinum
HD0983-16, HD0984-16, HD0985-16	Black
HD0983-17, HD0984-17, HD0985-17	White

COLOR OPTIONS

- (08) PLATINUM
- (16) BLACK
- (17) WHITE

TECHNICAL SPECIFICATIONS

Material: Polycarbonate ABS (ION+)

Motor Type: 1HP, 350-700 Watts

Thermal Protection:

Motor Shuts Off at 275°F (135°C)

Heater Shuts Off at 288°F (142°C)

Operating Airflow: 19,476 LFM, Adjustable

Air Output Temperature:

140°F (60°C)

Ambient Temperature 68°F (20°C)

Sound Level: 65dB - 78dB MAX

Isolation: Class 1

Drip Proof: IP23

Watts: 1600W (700W w/ heater off)

RPM: 11,000 - 20,000, Adjustable

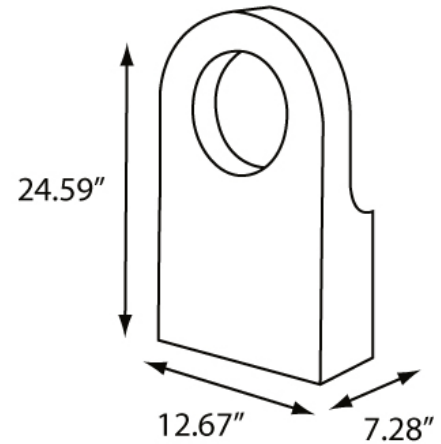
Voltage & Amps:

HD0983 110/120 Volts 12.2-13.3 Amps

HD0984 208/220 Volts 5.7-6.6 Amps

HD0985 277 Volts 6.6 Amps
(special order)

Mounting: Surface



MOUNTING HEIGHTS

from bottom of dryer to the finished floor

Men	26-1/6"
Women	23-5/64"
Children (4-10)	9-59/64"
Children (11-16)	15-5/64"
Disabled	13-5/8"

DIMENSIONS & WEIGHT

Width:	12.67"
Height:	24.59"
Depth:	7.28"
Weight:	23.8 lbs

ISTORM EXTRAS

Filter:	SP098399-002
Backsplash Kit:	SP098399-050
Drawer White:	SP098399-003
Drawer Platinum:	SP098399-004
Drawer Black:	SP098399-005
Cover White:	SP098399-012
Cover Platinum:	SP098399-013
Cover Black:	SP098399-011
Drain Tray:	SP098399-029

Email: info@palmerfixture.com



Palmer Fixture
PO BOX 10887
Green Bay, WI 54307

To Order Call: 224-654-6500 www.UNOCLEAN.com V11.2019