

# storm **HIGH SPEED** Hand Dryer<sup>2</sup> **HAND DRYER**

## **LED Sensor**

allows user to maximize the dryers efficiency



## **Antibacterial Coating**

inhibits and reduces the ability for micro-organisms to grow

## **Innovative Absorbent Ceramic Plate (optional)**

captures water runoff and keeps floors safe and dry

## **Adjustable Air Speed**

for customizable settings that will maximize efficiency

## **On/Off Heater Switch**



## **Removable Drip Tray**

optional for high volume areas

## **Super 3-Layer HEPA Filter**

HEPA, carbon, anti-microbial filter eliminates over 99% of airborne bacteria



**MODEL: HD0983 | ULTRA SERIES**



## MODEL NUMBER & COLOR

HD0983-08, HD0984-08, HD0985-08	Platinum
HD0983-16, HD0984-16, HD0985-16	Black
HD0983-17, HD0984-17, HD0985-17	White

## COLOR OPTIONS

- (08) PLATINUM
- (16) BLACK
- (17) WHITE

## TECHNICAL SPECIFICATIONS

**Material:** Polycarbonate ABS (ION+)

**Motor Type:** 1HP, 350-700 Watts

**Thermal Protection:**

Motor Shuts Off at 275°F (135°C)

Heater Shuts Off at 288°F (142°C)

**Operating Airflow:** 19,476 LFM, Adjustable

**Air Output Temperature:**

140°F (60°C)

Ambient Temperature 68°F (20°C)

**Sound Level:** 65dB - 78dB MAX

**Isolation:** Class 1

**Drip Proof:** IP23

**Watts:** 1600W (700W w/ heater off)

**RPM:** 11,000 - 20,000, Adjustable

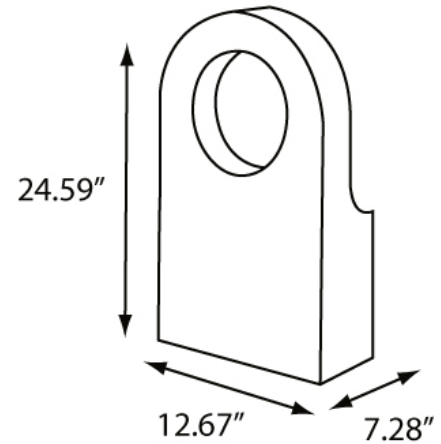
**Voltage & Amps:**

HD0983 110/120 Volts 12.2-13.3 Amps

HD0984 208/220 Volts 5.7-6.6 Amps

HD0985 277 Volts 6.6 Amps  
(special order)

**Mounting:** Surface



## MOUNTING HEIGHTS

from bottom of dryer to the finished floor

<b>Men</b>	26-1/6"
<b>Women</b>	23-5/64"
<b>Children (4-10)</b>	9-59/64"
<b>Children (11-16)</b>	15-5/64"
<b>Disabled</b>	13-5/8"

## DIMENSIONS & WEIGHT

<b>Width:</b>	12.67"
<b>Height:</b>	24.59"
<b>Depth:</b>	7.28"
<b>Weight:</b>	23.8 lbs

## ISTORM EXTRAS

<b>Filter:</b>	SP098399-002
<b>Backsplash Kit:</b>	SP098399-050
<b>Drawer White:</b>	SP098399-003
<b>Drawer Platinum:</b>	SP098399-004
<b>Drawer Black:</b>	SP098399-005
<b>Cover White:</b>	SP098399-012
<b>Cover Platinum:</b>	SP098399-013
<b>Cover Black:</b>	SP098399-011
<b>Drain Tray:</b>	SP098399-029



Palmer Fixture  
PO BOX 10887  
Green Bay, WI 54307

Email: [info@palmerfixture.com](mailto:info@palmerfixture.com)

To Order Call: 224-654-6500 [www.UNOCLEAN.com](http://www.UNOCLEAN.com) V11.2019