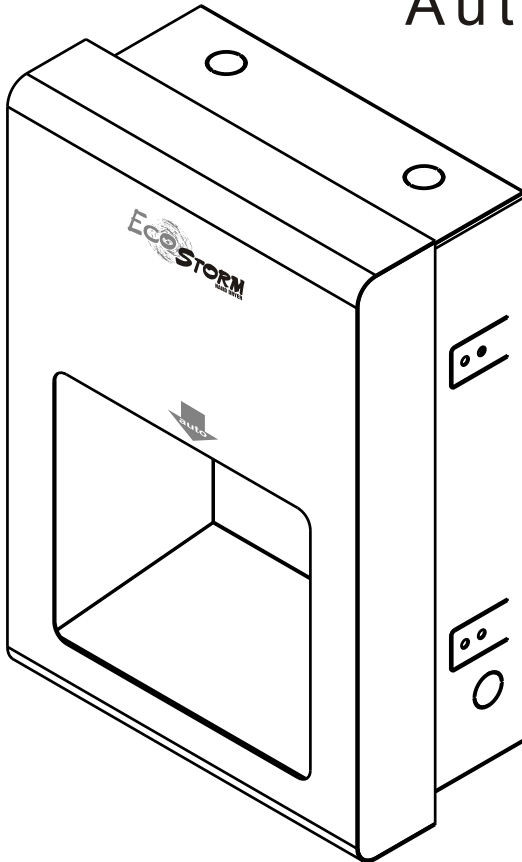


**PALMER
FIXTURE
COMPANY**

Hand dryer

Automatic



Model No. HD945 SS

To Order Call: 224-654-6500 www.UNOCLEAN.com

Mounting Instruction

High Speed Hand Dryer Surface-Mounted Type

Installation

1. Make sure power supply breaker is switched off. Installation must be carried out in accordance with the current edition of the local wiring regulations code having jurisdiction. Installation should be performed only by a qualified electrician.

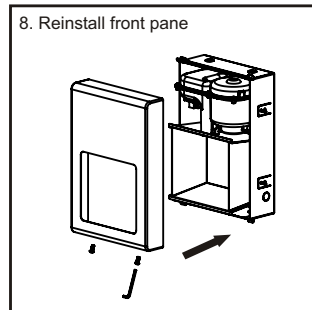
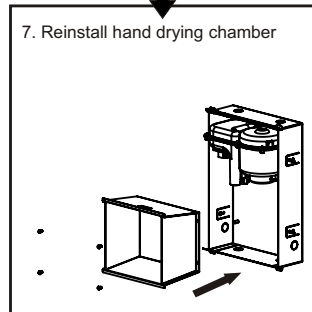
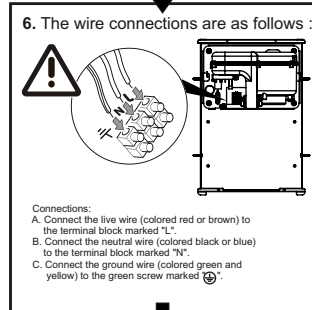
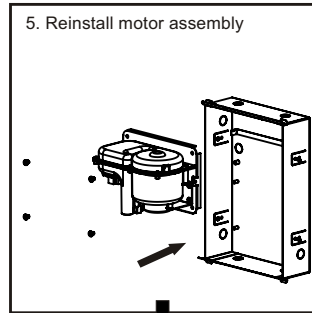
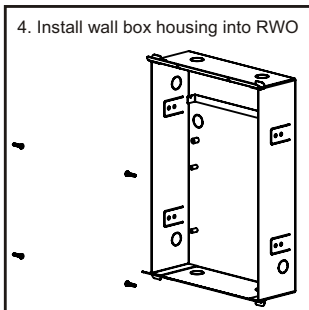
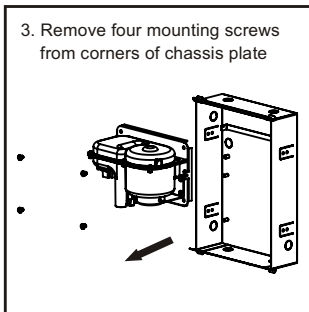
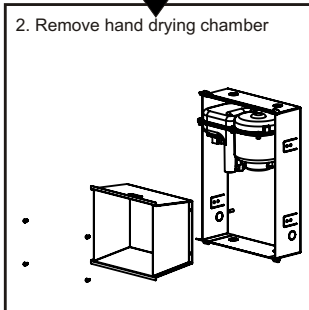
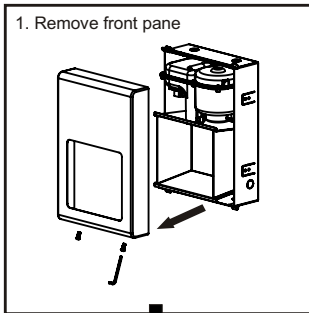
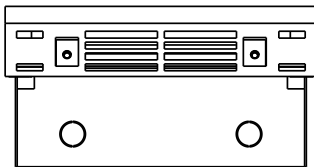
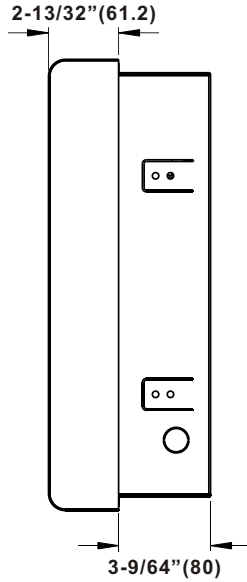
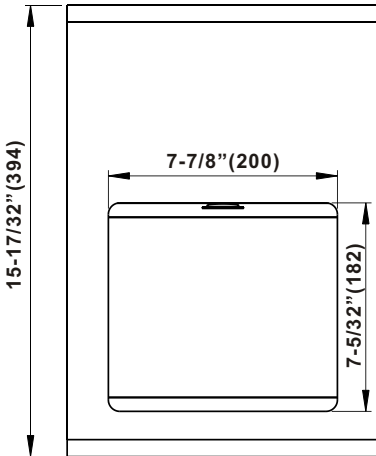
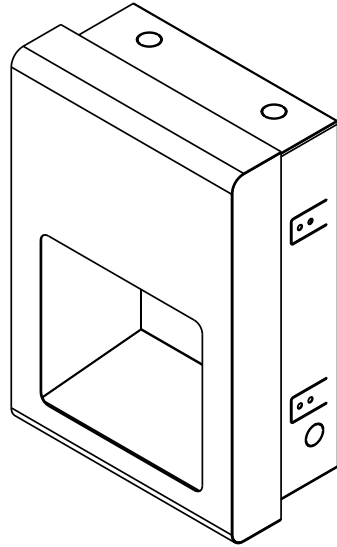
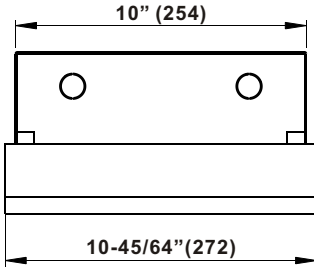


Diagram: mm
inch



General safety information:

⚠ WARNING

This product is intended for installation by a qualified service person. Use AWG NO. 14 (1.6 mm²) solid conductor for wiring.

⚠ DANGER

Failure to properly ground unit could result in severe electrical shock and/or death.

⚠ WARNING

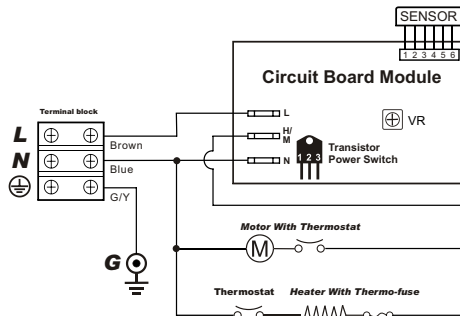
Disconnect power at the service breaker before installing or servicing.

⚠ WARNING

All units must be supplied with a 3-wire service. The ground wire must be connected to the dryer's backplate.

-- NOTE: Do not install dryer over washbasin --

Circuit Diagram



TECHNICAL SPECIFICATIONS

ITEM CATEGORY

PERFORMANCE DATA

Operating Voltage	110-120 Vac, 50/60 Hz, 0.84-1.0 kW
Cover	Stainless Steel (t:1.2mm)
Air Output Temperature	55°C (131°F) – Ambient Temp. 25°C (77°F)
Warm Air Speed Output	90 m/s (201.3 mi/h)
Dryer shall Deliver	101.7 m ³ /h, (59.8 CFM)
Motor Type	11/16HP, 500W, 29000 R.P.M., Brush Type, Dual Ball Bearings
Motor Thermal Protection	Auto Resetting Thermostat turns unit off at 105°C [221°F]
Heater Element	500W
Heater Thermal Protection	Thermal cut-off at 139°C [282°F]
Drying Time	Less than 15 seconds
Circuit Operation	Infrared Automatic, self adjusting
Sensor Range	2" to 10" [51 mm to 254 mm] adjustable; standard 7" [18 cm±2 cm]
Timing Protection	60 seconds auto shut off
Drip proof	IPX1
Isolation	CLASS 1
Net Weight	7.0 kg [15.4 lbs]
Shipping Weight	8.0 kg [17.6 lbs]

Recommended mounting heights

- from top edge of hand chamber above finished floor (AFF)
SEE ILLUSTRATED INSTALLATION STEPS ON SHEET

Men / Women	1168 mm	(46")
Children 4-7 years	838 mm	(33")
Children 8-10 years	940 mm	(37")
Children 11-13 years	1041 mm	(41")
Children 14-16 years	1143 mm	(45")
Handicaped	1016 mm	(40")

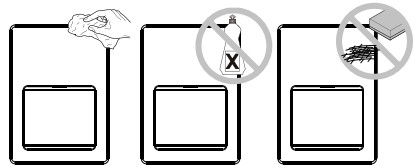
Reference **ADAAG** AFF (maximum)
Reach LIMIT (unrestricted)

All Approaches 1219 Mm (48")

Cleaning and Maintenance

Periodic cleaning of the unit is recommended to ensure optimum performance.

- Disconnect the electrical supply.
- Remove the two cover-mounting screws.
- Remove the cover.
- Clean all dust lint from the interior of the dryer.
- Wipe the cover with a damp cloth and mild cleaning solution. Do not Soak. Never use abrasives to clean the cover. Dry completely.
- Replace the cover. Do not over tighten the screws.



Diagnostics and Remedies

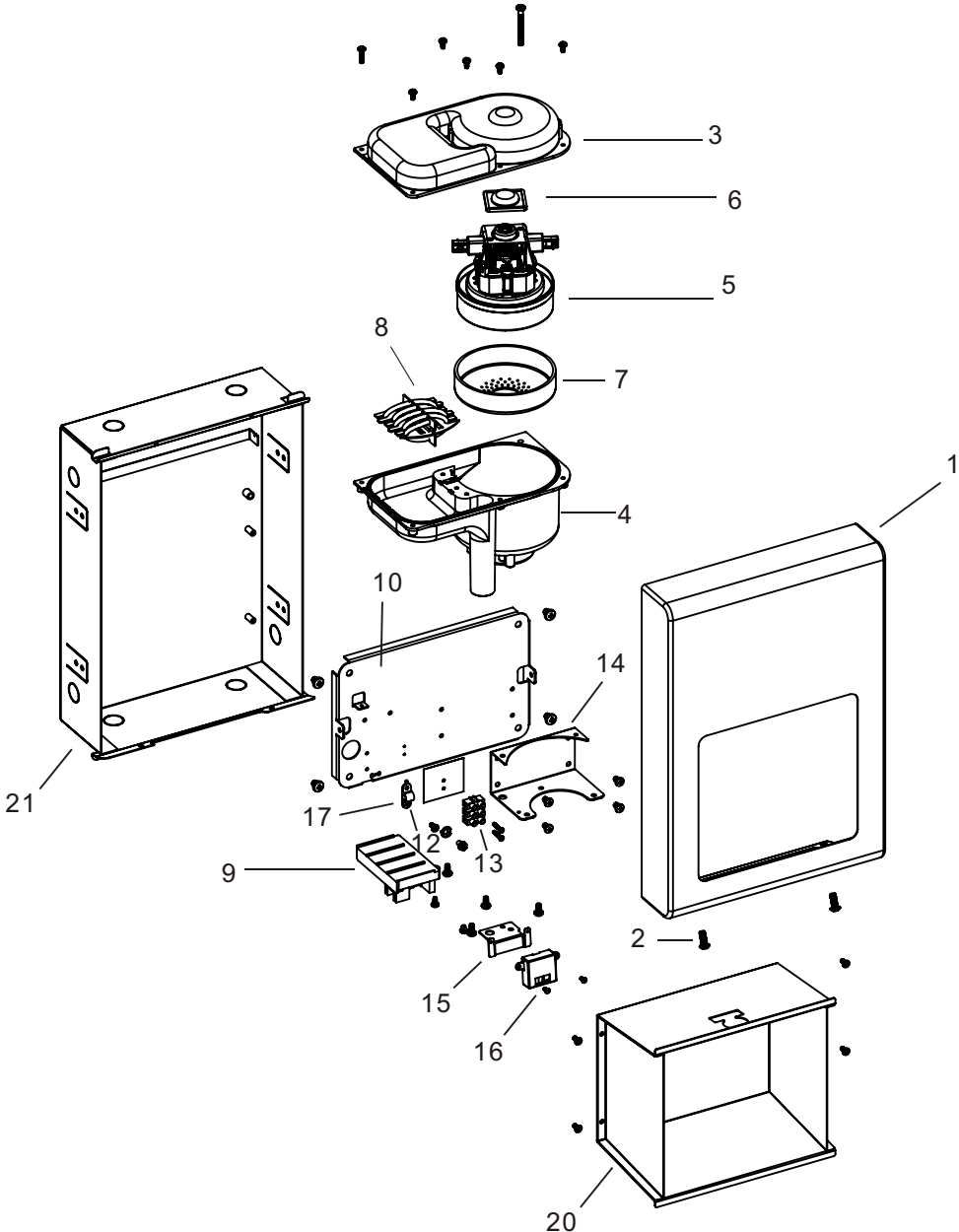
Symptom
If the dryer will not run
The dryer cycles by itself or runs constantly
The dryer makes a loud noise and does not run for a complete cycle
The dryer runs but air stream is low pressure and/or low velocity

Corrective Actions for Initial Installation Failures
First ensure that the breaker supplying the dryer is operational. If it is, disconnect the power and remove the dryer cover. Taking suitable precautions to avoid shock hazard, reconnect the power and check for Voltage at the terminal block. Verify that connections are made correctly.
Ensure that there is no obstruction on or in front of the IR sensor. Clean any dirt or debris off the sensor lens. If problem persists, replace sensor.
Ensure that the supply Voltage is correct. Dryer will make a loud humming noise if the input Voltage is too high. Verify Voltage requirement on unit rating label and correct supply as required. If CBM has been damaged, replace CBM, IR sensor module and VR component and cable.
Ensure that the supply Voltage is correct. Dryer will run weakly if the input Voltage is too low. Verify Voltage requirement on unit rating label and correct supply as required.

Symptom
If the dryer will not run
The IR sensor only "sees" close range objects
The heater gets hot but no air stream is produced
The dryer only blows cold air during a full cycle
The air stream is low pressure and velocity

Corrective Actions for In-Service Failures
First ensure that the breaker supplying the dryer is operational. If it is, disconnect the power and remove the dryer cover. Replace the CBM and IR sensor module. Taking suitable precautions to avoid shock hazard, reconnect the power and check for Voltage at the terminal block.
Ensure that there is no obstruction on or in front of the IR sensor. Clean any dirt or debris off the sensor lens. If problem persists, disconnect the power and remove the dryer cover. Taking suitable precautions to avoid shock hazard, reconnect the power and try carefully adjusting the sensitivity control (yellow shaft in blue box on CBM) to increase the sensing range. If problem persists, replace sensor.
Disconnect the power. Remove the dryer cover and disassemble the blower-motor/fan housing. Replace the fan motor.
Disconnect the power. Remove the dryer cover and disassemble the blower-motor/fan housing. Test the thermostat for open circuit. Check the heater element for signs of burning or breakage. Damaged element must be replaced.
Check the output nozzle for obstructions. If none are present, disconnect the power. Remove the dryer cover. Remove any dust/lint buildup from intake vent slots. Disassemble the blower-motor/fan housing. Check the motor brushes for worn condition ($\leq 1\text{-}3/16''$ [30 mm] graphite remains) and replace them, if necessary.

Diagram :



Repair parts list

Key	Part #	Description	Quantity
01	C0326-0015	Enclosure (Casing)	1
02	D0101-0015	Security hex screw	2
03	A0126-0001	Blower housing (Upper)	1
04	A0126-0002	Blower housing (Below)	1
05		Motor	1
	E0126-0001	120Vac@500W	
06	G0126-0002	Motor rubber (Upper)	1
07	G0126-0001	Motor rubber (Below)	1
08		Heater assembly	1
	T0226-0001	120Vac@500W	
09		Circuit Board Module	1
	F0226-0001	110-120Vac	
10	C0126-0011	Base plate	-
11	-	-	1
12	J0209-0001	Insulation Mylar	1
13	F0801-0001	Terminal block	1
14	C0126-0004	Blower mounting bracket	1
15	C0126-0005	Sensor bracket	1
16	Same as Item 9	Sensor (Grouped into Circuit Module)	1
17	A0106-0004	Cable clamp	1
18	-	-	-
19	D0101-0008	Grounding screw	1
20	C0326-0017	Dry hand chamber	1
21	C0326-0011	Recessed box	1

To Order Call: 224-654-6500 www.UNOCLEAN.com