

Hand Dryer Operating Instructions and Parts Manual

Description:

Automatic operation hand dryer.
 Casing: Made of high grade fire retardant ABS, 3.0 mm thick.

Brushless motor : 1/8HP, 100W, 2850 R.P.M (50Hz), 3150 R.P.M (60Hz)
 Designed with 221°F(105°C) thermostat.

Heater assembly : Designed with 189°F (87°C) thermostat, 1400-1700W.
 Designed with 286°F(141°C) thermal cut-off.

Dryer shall deliver : 150 CFM (255 m³/h).

Air speed : 36.9mi/hr (16.5 m/s).--60Hz 32.4mi/hr (14.5 m/s).--50Hz

Air output Temperature : 136°F (58°C) – Ambient Temp. 68°F (20°C).

Sound level : 55±3 dB.

Approximately 30-35 seconds drying time.

Adjustable sensitive distance of sensor from 2" to 13" (51 mm to 330 mm).

Power cut off automatically in case of irregular use over 120 seconds.

Drip proof : IPX1

Class 1

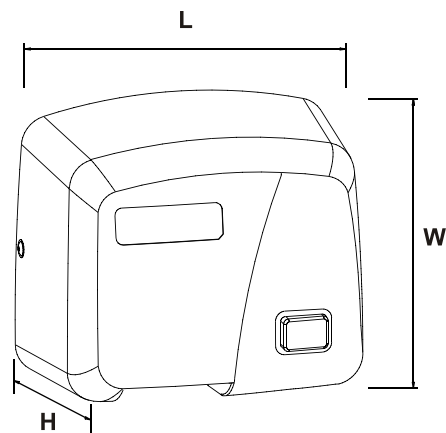
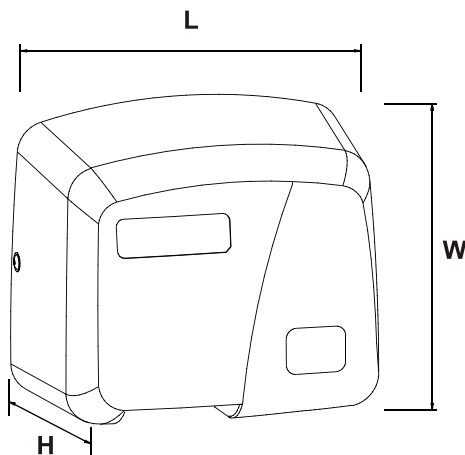
Weight : 8.4 lbs (3.8kgs) unpacked ; 9.9 lbs (4.5kgs) packed.



HD0903-17

Specifications and Dimensions

Model	Volts	Watts	Amps	Housing Dimensions: in(mm)		
				L	W	H
HD0903-17	110-120Vac	1512-1800W	13.8-15A	10-1/2 (268)	8-3/4(220)	6-3/4(170)



General safety information

▲ WARNING Disconnect power before installation or servicing.

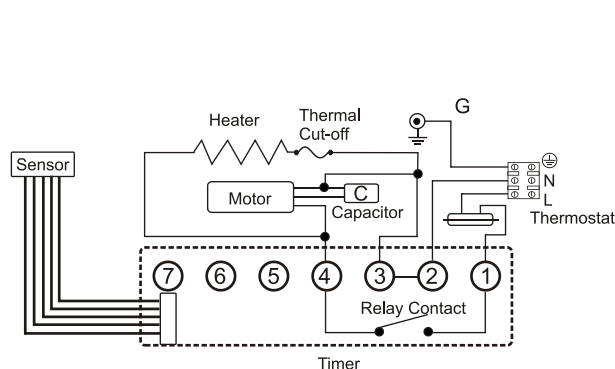
▲ WARNING This product intended for installation by a qualified service person. Use AWG NO. 12 solid conductor for wiring.

▲ WARNING All units must be supplied with a 3-wire service. The ground wire must be connected to the dryer's backplate.

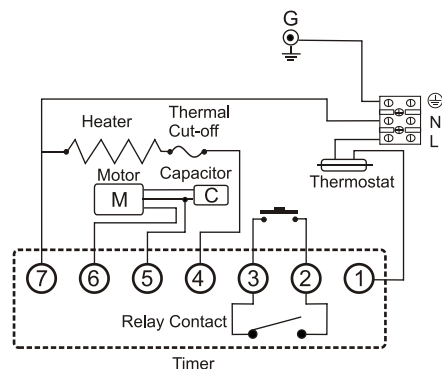
▲ DANGER Failure to properly ground unit could result in severe electrical shock and/or death.

NOTE: Do not install dryer over washbasin.

Wiring Diagrams



Automatic



Push-button

Installation

1. Fix the position card on the wall.
Suitable height for hole "D" is 50" (127 cm) from ground.
2. Drill 4 holes
(A. B. C. D. 5/16" (8 mm) diameter: 3/8" (35 mm) depth.)
3. Take off the mounting instruction sheet.
Hammer dowels into 4 holes.
4. Remove the housing from the base plate; fix the base plate firmly on to the wall.
5. Connections:
 - A. Connect the live wire (colored red or brown) to the terminal block marked "L".
 - B. Connect the neutral wire (colored black or blue) to the terminal block marked "N".
 - C. Connect the ground wire (colored green and yellow) to the green screw marked "⊕".
6. Attach housing back to base plate.

Operation

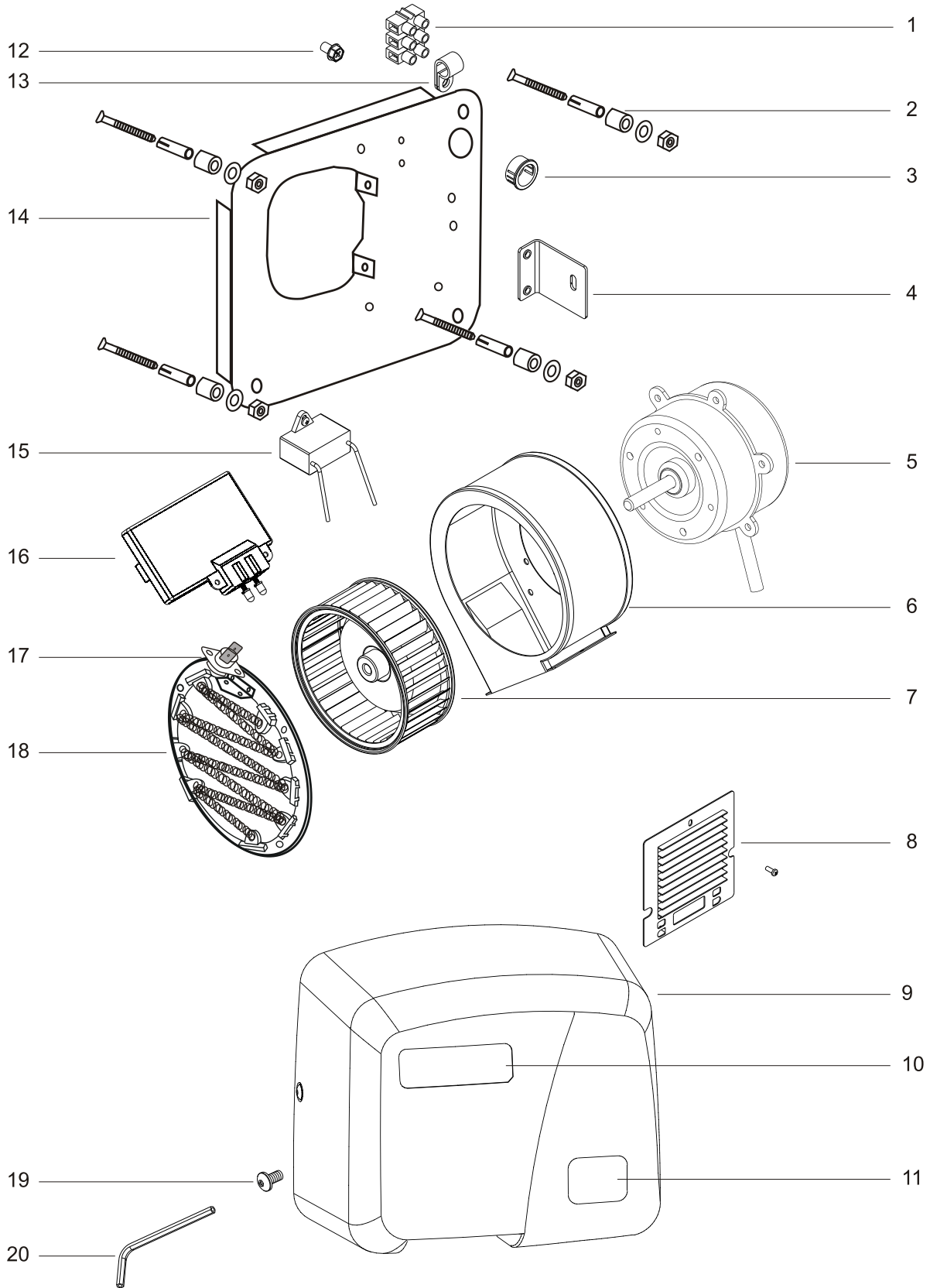
Shake excess water from hands.
 Place hands under the outlet to start operation.
 Rub hands lightly and rapidly.
 Stops automatically when hands are removed.

Maintenance

Easy to maintain. If the surface is dirty or dusty just wipe to clean.

Troubleshooting Chart

Symptom	Corrective Action
Blower motor stops running	Turn off power to the dryer at electrical panel. Remove cover. Check all wiring connections from terminal board to the motor. Check blower wheel and spin to make sure it rotates freely: Look for objects blocking the free movement. Replace cover and turn on power to the hand dryer. If motor fails to start, have a qualified electrician check the Push-On-Switch, thermostat, motor and capacitor for proper operation. Replace if necessary.
Dryer blows cold air	Turn off power to the dryer at the electrical panel. Remove cover. Check all wiring connections to make sure all terminals are firmly mounted in place and the wire insulation is in good condition. Have a qualified electrician check the thermal cut off and heating element. Replace cover, turn on power to the hand dryer. If dryer continues to blow cold air, replace defective thermal cut off and/or heating element.
Dryer does not respond to hand movement	Make sure power is on and available to the unit. Place hands under sensor. A clicking sound indicates sensor is functioning properly. No clicking sound would indicate a bad sensor and/or contactor. Replace if necessary.
Dryer will not shut off or will not run for a complete cycle	Replace timer assembly



Automatic

Repair parts list

Reference Number	Description	Part #	Qty.
1	Power terminal block	F01-005	1
2	Dowel assembly	D03-003	4
3	Bushing	A01-001	1
4	Motor mounting bracket	C01-005	1
5	Motor	E01-002	1
6	Fan enclosure	C02-001	1
7	Fan blower	C02-001	1
8	Air outlet guard	C01-003	1
9	Enclosure	B07-005	1
10	Plate	K0L-001	1
11	Sign label	K0L-002	1
12	Ground screw	D01-002	1
13	Insulating barrier	A01-002	1
14	Base enclosure	C04-003	1
15	Motor capacitor	F01-002	1
16	Timer assembly	TIA01	1
17	Thermostat	F04-003-1	1
18	Heating element assembly	HE05	1
19	L key	C01-002	1
20	Fixing screw for enclosure	D01-001	2

To Order Call: 224-654-6500 www.UNOCLEAN.com

Automatic