

# Operating instructions



**AERO 26**  
**AERO 31 INOX**

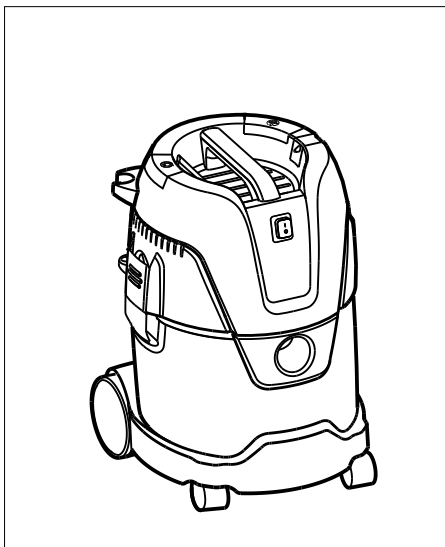


107409901 A

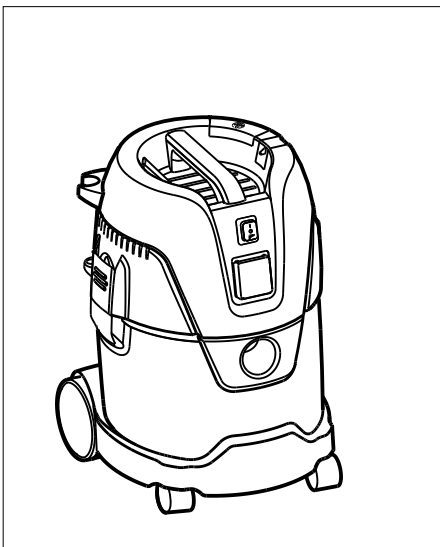
**Nilfisk**  
**ALTO**  
works for you

<b>EN</b>	Operating instructions .....	1
<b>DE</b>	Bedienungsanweisungen .....	8
<b>FR</b>	Instructions de fonctionnement .....	16
<b>NL</b>	Gebruiksaanwijzingen .....	24
<b>IT</b>	Istruzioni per l'uso .....	32
<b>NO</b>	Bruksanvisning .....	40
<b>SV</b>	Bruksanvisning .....	47
<b>DA</b>	Betjeningsvejledning .....	54
<b>FI</b>	Käyttöohje .....	61
<b>ES</b>	Instrucciones de funcionamiento .....	68
<b>PT</b>	Instruções de Funcionamento .....	76
<b>EL</b>	Οδηγίες λειτουργίας .....	84
<b>TR</b>	Kullanma Talimatları .....	92
<b>SL</b>	Navodila za delovanje .....	99
<b>HR</b>	Upute za uporabu .....	106
<b>SK</b>	Návod na obsluhu .....	113
<b>CS</b>	Návod k obsluze .....	121
<b>PL</b>	Instrukcje dotyczące obsługi .....	128
<b>HU</b>	Használati útmutató .....	136
<b>RO</b>	Instrucțiuni de utilizare .....	144
<b>BG</b>	Указания за експлоатация .....	152
<b>RU</b>	Руководство по эксплуатации .....	160
<b>ET</b>	Tööjuhised .....	168
<b>LV</b>	Norādījumi par ekspluatāciju .....	175
<b>LT</b>	Naudojimo instrukcija .....	182
<b>JA</b>	作手順.....	189
<b>ZH</b>	操作说明 .....	196
<b>KO</b>	사용법.....	202
<b>TH</b>	คำแนะนำการใช้งาน .....	209
<b>MS</b>	Arahan Operasi.....	216
<b>AR</b>	لي غش يتلا تامي لعت.....	224

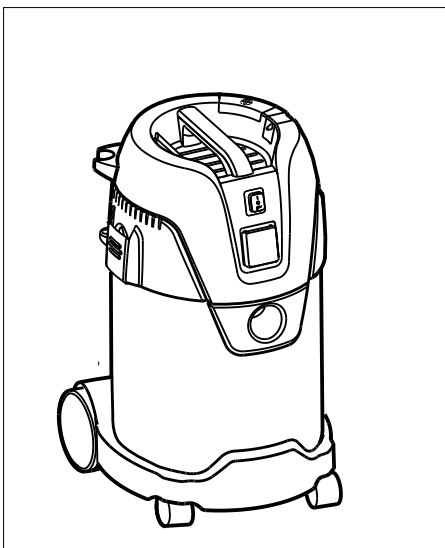
**AERO 26-01 X**



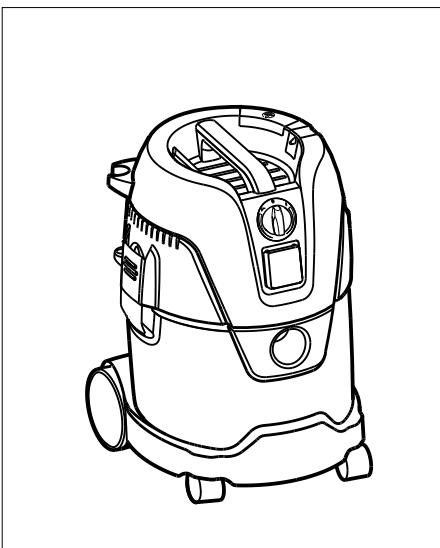
**AERO 26-21**



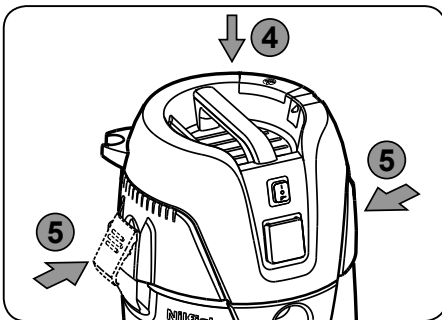
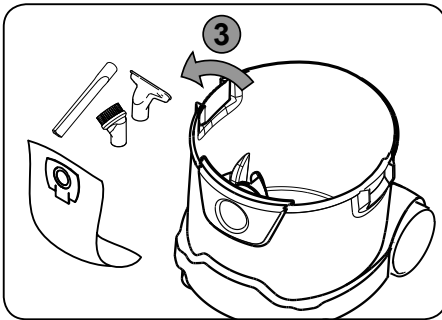
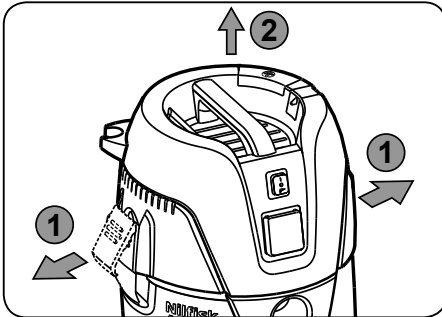
**AERO 31-21 INOX**



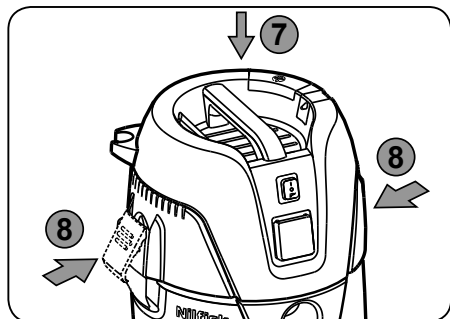
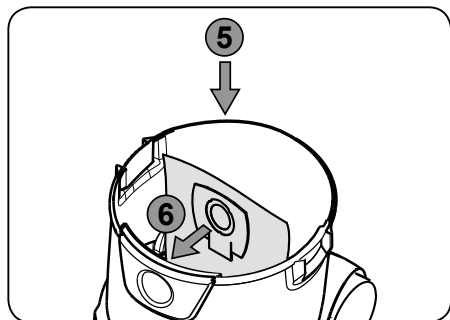
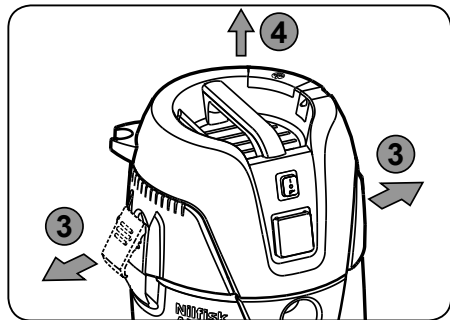
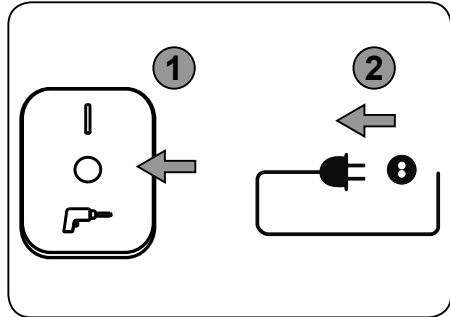
**AERO 26-2L**



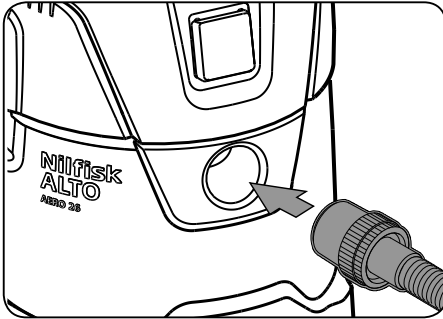
1A)



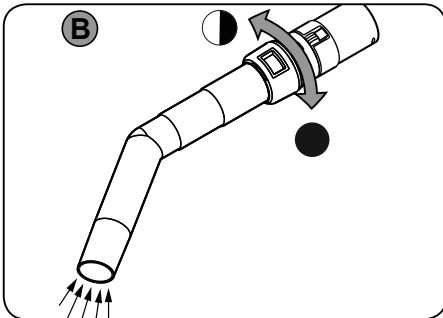
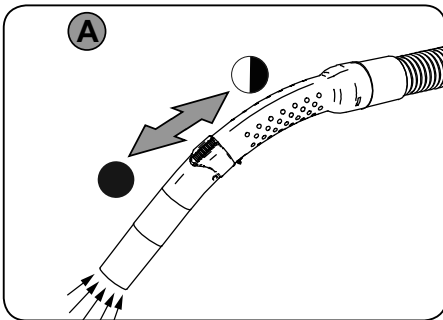
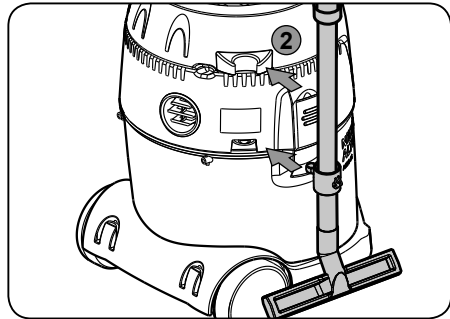
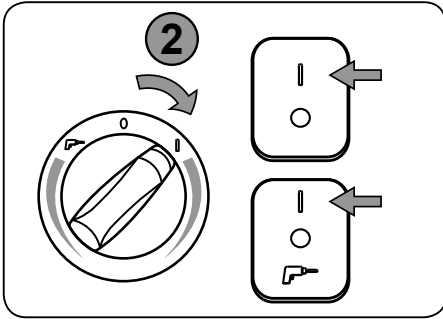
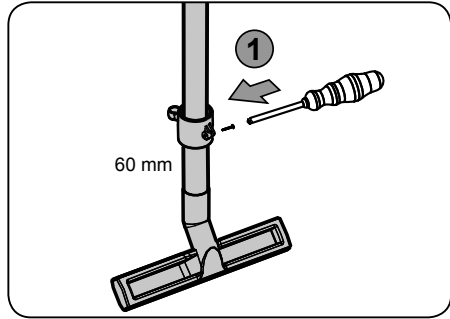
2A



3A'

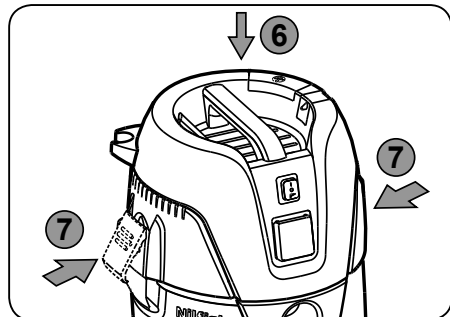
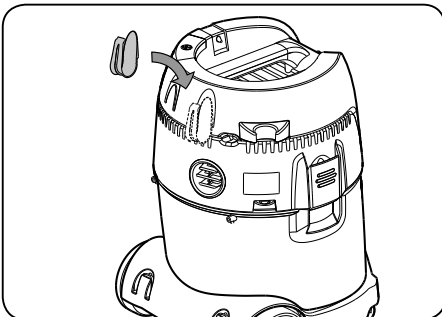
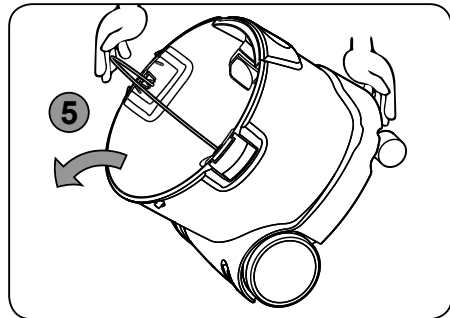
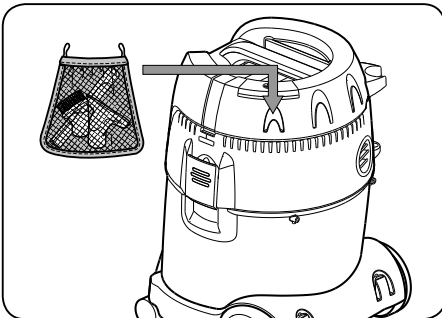
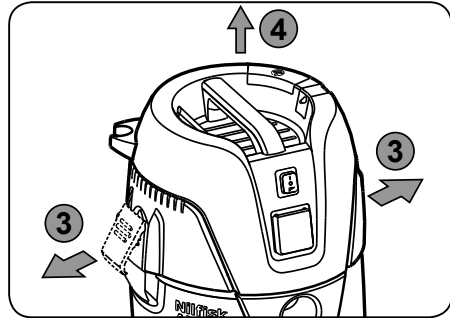
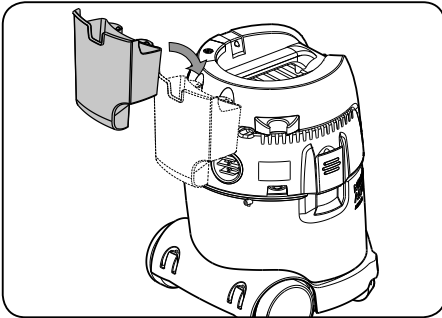
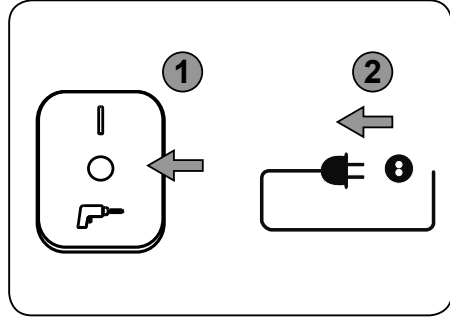
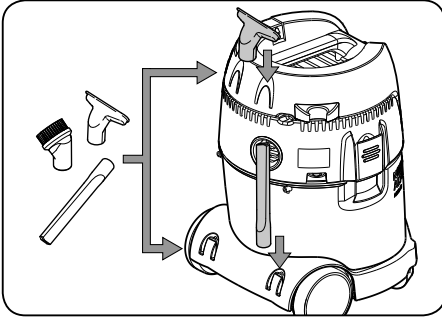


4A

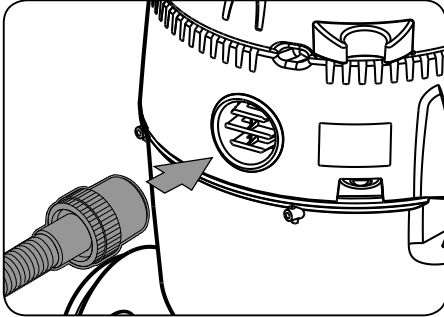


5A 7

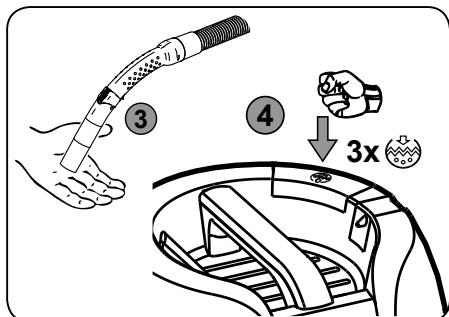
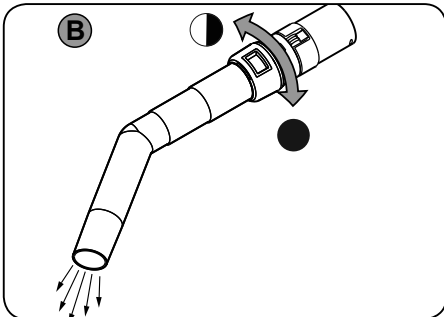
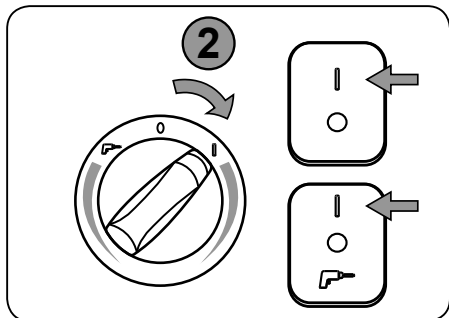
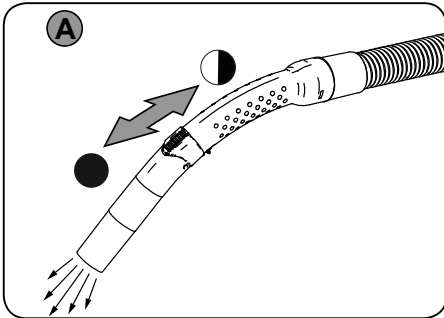
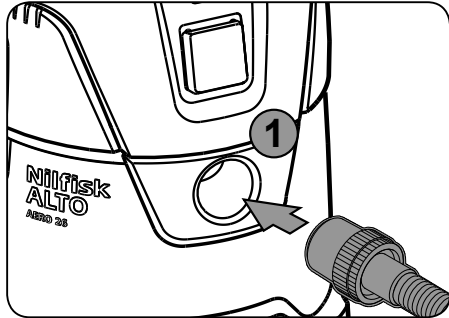
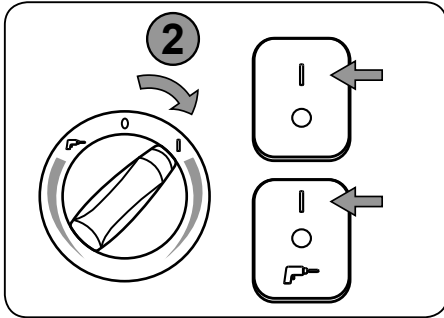
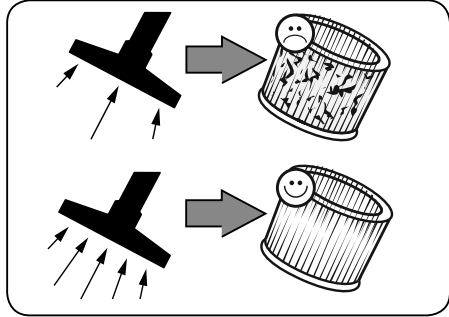
1B 7



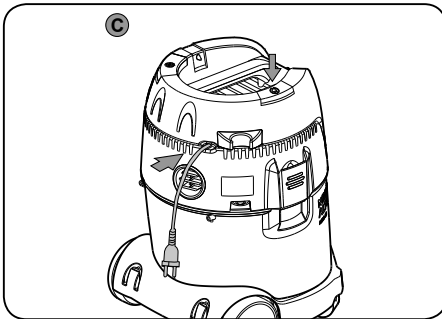
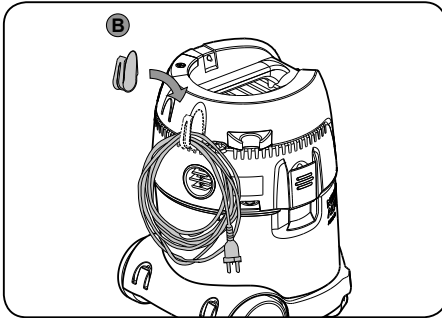
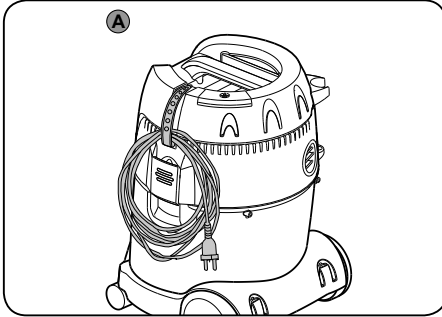
2B)



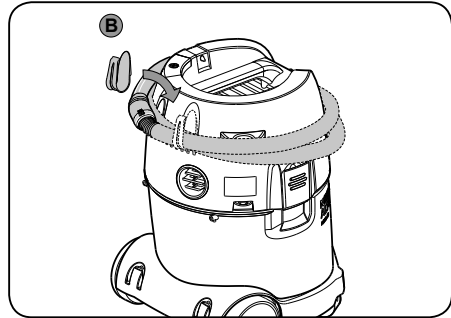
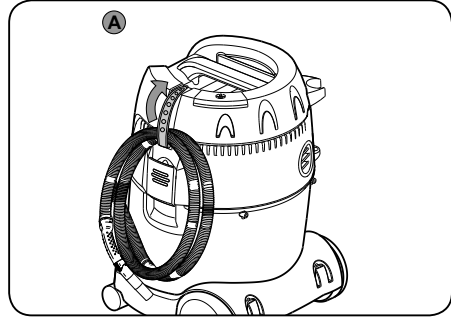
3B)



4B<sup>1)</sup>



5B<sup>1)</sup>

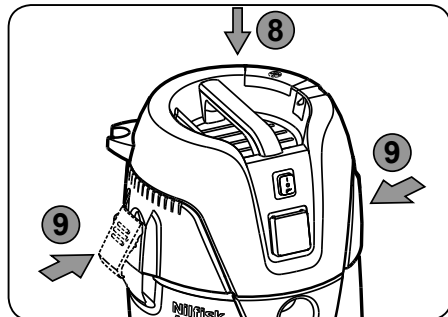
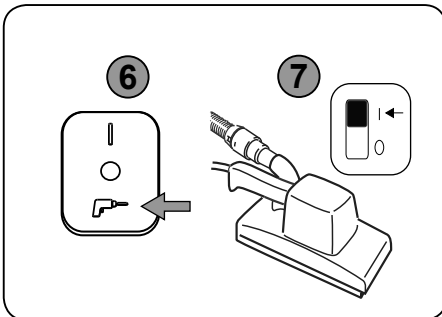
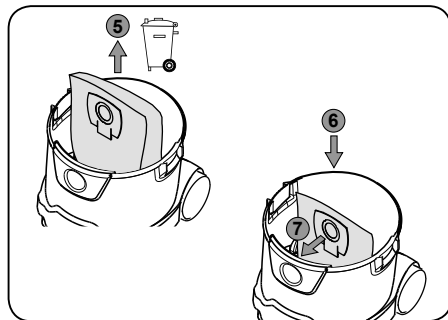
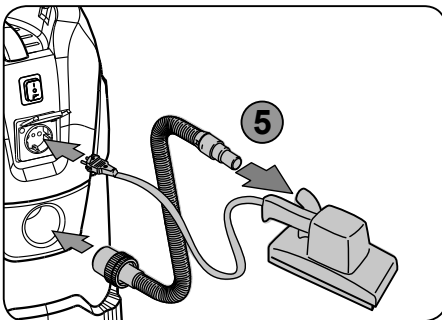
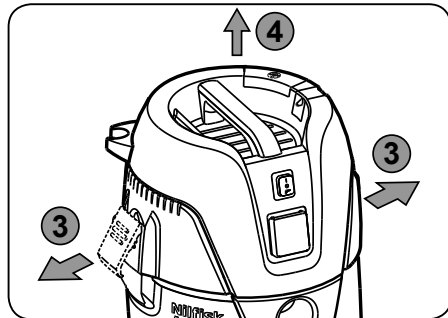
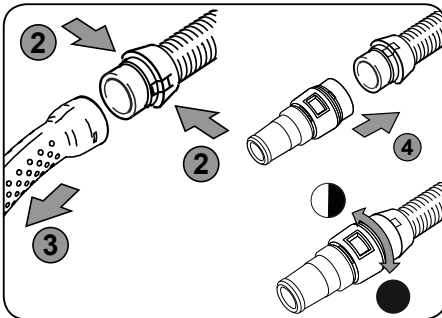
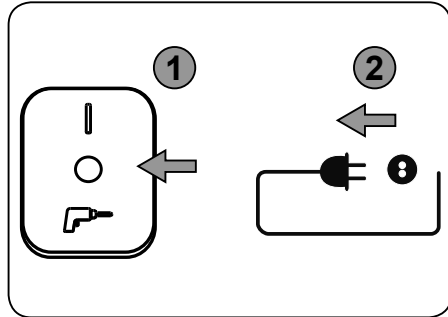
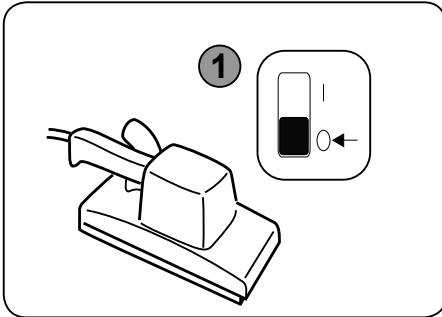


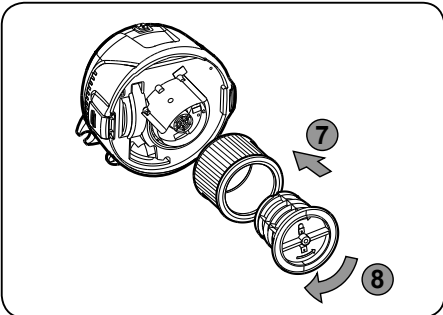
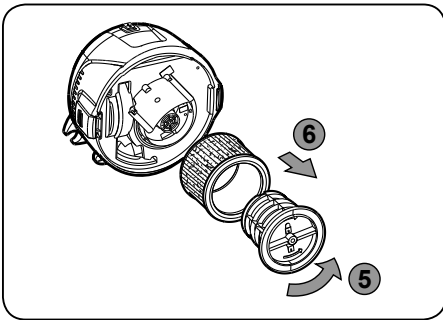
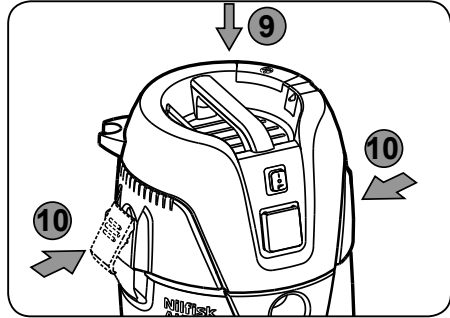
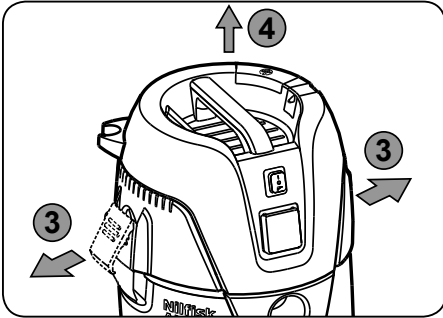
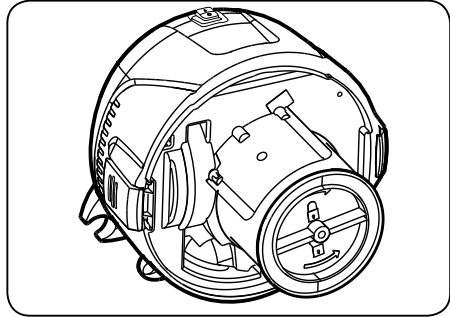
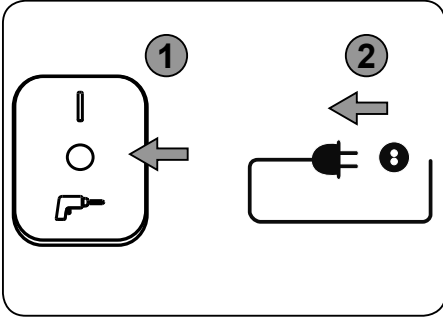


1C)



1D

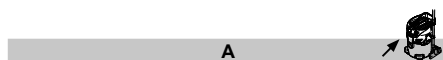




## Quick reference guide

### The pictorial quick reference guide

The pictorial quick reference guide is designed for helping you when starting up, operating and storing the unit. The guide are subdivided into 4 sections, which are represented by symbols:



#### Before starting

**1A** - Unpack Accessories

**2A** - Filter Bag Installation

**3A** - Hose Insert

**4A** - Tube Fixed

**5A** - Accessories Placement



#### Control/Operation

**1B** - Emptying Container

**2B** - Blow Function

**3B** - Push & Clean

**4B** - Cable Storage

**5B** - Hose Storage



#### Connecting electrical appliances

**1C** - Power Tool



#### Replacement of:

**1D** - Filter Bag Replacement

**2D** - Filter Replacement

\*) **Optional accessories / Option depending on model**

## Contents

<b>1</b>	<b>Important safety instructions</b> .....	<b>2</b>
1.1	<i>Symbols used to mark instructions</i> .....	2
1.2	<i>Instructions for use</i> .....	2
1.3	<i>Purpose and intended use</i> .....	2
1.4	<i>Electrical connection</i> .....	2
1.5	<i>Extension lead</i> .....	2
1.6	<i>Guarantee</i> .....	2
1.7	<i>Tests and approvals</i> .....	2
1.8	<i>Important warnings</i> .....	3
1.9	<i>Double-insulated appliances*</i> .....	3
1.9.1	<i>Only applicable to UK.</i> .....	3
1.9.2	<i>Electrical connections</i> .....	3
1.9.3	<i>Blue-neutral brown-live</i> .....	4
<b>2</b>	<b>Risks</b> .....	<b>4</b>
2.1	<i>Electrical components</i> .....	4
2.2	<i>Picking up liquids</i> .....	4
2.3	<i>Hazardous materials</i> .....	4
2.4	<i>Spare parts and accessories</i> .....	4
2.5	<i>Emptying dirt tank</i> .....	5
2.6	<i>In explosive or inflammable atmosphere</i> ...	5
2.7	<i>Blower function.</i> .....	5
<b>3</b>	<b>Control / Operation</b> .....	<b>5</b>
3.1	<i>Starting and operating of the machine</i> .....	5
3.2	<i>Auto-On/Off-Operation for power tools*</i> .....	5
3.3	<i>Before wet pick-up</i> .....	5
3.4	<i>Emptying after wet pick-up</i> .....	5
3.5	<i>Emptying after dry pick-up</i> .....	5
3.6	<i>Push &amp; Clean</i> .....	6
<b>4</b>	<b>After using the cleaner</b> .....	<b>6</b>
4.1	<i>After use</i> .....	6
4.2	<i>Transport</i> .....	6
4.3	<i>Storage</i> .....	6
4.4	<i>Recycling the cleaner</i> .....	6
<b>5</b>	<b>Maintenance</b> .....	<b>6</b>
5.1	<i>Regular servicing and inspection</i> .....	6
5.2	<i>Maintenance</i> .....	6
<b>6</b>	<b>Further information</b> .....	<b>7</b>
6.1	<i>EU Declaration of conformity</i> .....	7
6.2	<i>Specifications</i> .....	7

# 1 Important safety instructions



This document contains the safety information relevant for the appliance along with a quick reference guide. Before starting up your vacuum cleaner for the first time, this instruction manual must be read through carefully. Save the instructions for later use.

## Further support

Further information on the appliance can be found on our web site at [www.nilfisk-alto.com](http://www.nilfisk-alto.com). For further queries, please contact the Nilfisk-ALTO service representative responsible for your country. See reverse of this document.

### 1.1 Symbols used to mark instructions

#### DANGER



Danger that leads directly to serious or irreversible injuries, or even death.

#### WARNING



Danger that can lead to serious injuries or even death.

#### CAUTION



Danger that can lead to minor injuries and damage.

### 1.2 Instructions for use

The appliance must:

- only be used by persons, who have been instructed in its correct usage and explicitly commissioned with the task of operating it
- only be operated under supervision
- This appliance can be used by children aged from 8 years and above and persons with reduced physical, sensory or mental capabilities or lack of experience and knowledge if they have been given supervision or instruction concerning use of the appliance in a safe way and understand the hazards involved
- Children shall be supervised to make sure that they do not play with the appliance.
- Do not use any unsafe work techniques.
- Never use the vacuum cleaner without a filter.
- Switch off the appliance and disconnect the mains plug in the following situations:
  - Prior to cleaning and servicing
  - Prior to replacing components
  - Prior to changing over the appliance
  - If foam develops or liquid emerges

Besides the operating instructions and the binding accident prevention regulations valid in the country

of use, observe recognised regulations for safety and proper use.

### 1.3 Purpose and intended use

This vacuum cleaner is designed, developed and rigorously tested to function efficiently and safely when properly maintained and used in accordance with the following instructions.

This vacuum cleaner is to be used for commercial or for household use. Accidents due to misuse can only be prevented by those using the machine. READ AND FOLLOW ALL SAFETY INSTRUCTIONS.

This machine is suitable for picking up dry, non-flammable dust and liquids.

Any other use is considered as improper use. The manufacturer accepts no liability for any damage resulting from such use. The risk for such use is borne solely by the user. Proper use also includes proper operation, servicing and repairs as specified by the manufacturer.

### 1.4 Electrical connection

1. It is recommended that the vacuum cleaner should be connected via a residual current circuit breaker.
2. Arrange the electrical parts (sockets, plugs and couplings) and lay down the extension lead so that the protection class is maintained.
3. Connectors and couplings of power supply cords and extension leads must be watertight.

### 1.5 Extension lead

1. As an extension lead, only use the version specified by the manufacturer or one of a higher quality.
2. When using an extension lead, check the minimum cross-sections of the cable:

Cable length	Cross section	
	< 16 A	< 25 A
up to 20 m	1.5 mm <sup>2</sup>	2.5 mm <sup>2</sup>
20 to 50 m	2.5 mm <sup>2</sup>	4.0 mm <sup>2</sup>

### 1.6 Guarantee

Our general conditions of business are applicable with regard to the guarantee. Unauthorised modifications to the appliance, the use of incorrect brushes in addition to using the appliance in a way other than for the intended purpose exempt the manufacturer from any liability for the resulting damage.

### 1.7 Tests and approvals

Electrical tests must be performed in accordance with the provisions of safety regulations EN 62638. These tests must be performed at regular intervals and after repairs or modifications.

The vacuum cleaner has been approved in accordance with IEC/EN 60335-2-69.

## 1.8 Important warnings

### WARNING



- To reduce the risk of fire, electric shock, or injury, please read and follow all safety instructions and caution markings before use. This vacuum cleaner is designed to be safe when used for cleaning functions as specified. Should damage occur to electrical or mechanical parts, the cleaner and / or accessory should be repaired by a competent service station or the manufacturer before use in order to avoid further damage to the machine or physical injury to the user.
- Do not leave the machine when it is plugged in. Unplug from the socket when not in use and before maintenance.
- Do not use with damaged cord or plug. To unplug grasp the plug, not the cord. Do not handle plug or cleaner with wet hands. Turn off all controls before unplugging.
- Do not pull or carry by cord, use cord as a handle, close a door on cord, or pull cord around sharp edges or corners. Do not run cleaner over cord. Keep cord away from heated surfaces.
- Keep hair, loose clothing, fingers and all parts of the body away from openings and moving parts. Do not put any objects into openings or use with opening blocked. Keep openings free of dust, lint, hair, and anything else that could reduce the flow of air.
- This machine is not suitable for picking up hazardous dust.
- Do not use to pick up flammable or combustible liquids such as gasoline, or use in areas where they may be present.
- Do not pick up anything that is burning or smoking, such as cigarettes, matches or hot ashes.
- Use extra care when cleaning on stairs.
- Do not use unless filters are fitted.
- If the cleaner is not working properly or has been dropped, damaged, left outdoors, or dropped into water, return it to a service center or dealer.
- If foam or liquid escapes from the machine, switch off immediately.
- The vacuum cleaner may not be used as a water pump. The vacuum cleaner is intended for vacuuming air and water mixtures.
- Connect the vacuum cleaner to a properly earthed mains supply. The socket outlet and the extension cable must have an

operative protective conductor.

- Provide for good ventilation at the working place.
- Do not use the vacuum cleaner as a ladder or step ladder. The vacuum cleaner can tip over and become damaged. Danger of injury.

## 1.9 Double-insulated appliances\*



### CAUTION



- Use only as described in this manual and only with the manufacturer's recommended attachments.
- BEFORE YOU PLUG IN YOUR CLEANER, check the rating plate at the cleaner to see if the rated voltage agrees within 10% of the voltage available.
- This appliance is provided with double insulation. Use only identical replacement parts. See instructions for servicing double insulated appliances.

In a double-insulated appliance, two systems of insulation are provided instead of grounding. No grounding means is provided on a double-insulated appliance, nor should a mean for grounding be added to the appliance. Servicing a double-insulated appliance requires extreme care and knowledge of the system, and should be done only by qualified service personnel. Replacement parts for a double-insulated appliance must be identical to the parts they replace. A double insulated appliance is marked with the words "DOUBLE INSULATION" or "DOUBLE INSULATED." The symbol (square within a square) may also be used on the product.

The machine is equipped with a specially designed cord which if damaged, must be replaced by a cord of the same type. This is available at authorised service centres and dealers and must be installed by trained personnel.

### 1.9.1 Only applicable to UK.

#### Please read these essential instructions

These instructions have been prepared with safety and efficiency paramount.

The machine operator must be trained by a suitably qualified instructor and must understand these instructions for use, and be made aware of any relevant regulations and legislation in force at the time of use.

### 1.9.2 Electrical connections

#### CAUTION



#### DOUBLE-INSULATED MACHINES - IMPORTANT:

This 240 volt 50 Hz. machine are fitted with a 13 amp. 3 pin moulded plug. The plug is fit-

ted with a 13 amp. detachable fuse. The correct replacement for the fuse is identified by marking or colour coding. Only fuses that are ASTA approved to BS 1362 should be fitted. Never use the plug without the fuse cover fitted. Replacement fuse covers are available at any electrical retail outlet.

If the available socket outlet is not suitable for the plug supplied, the plug must be cut off and an appropriate plug fitted. The plug thus cut off **MUST BE DESTROYED** for safety reasons before being disposed of.

Machines built for other voltages and frequencies are not normally supplied with a fitted plug. If it is necessary to fit a plug, the wires in this power supply cord are coloured in accordance with the following code:

### 1.9.3 Blue-neutral brown-live

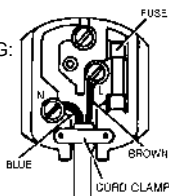
#### TO CONNECT THE NEW PLUG:

If using a three-pin plug, do not make any connection to the terminal in the plug which is marked with the letter 'E' or by the safety earth symbol or coloured green or green & yellow.

The blue wire must be connected to the terminal in the plug which is marked with the letter 'N' or is coloured black or blue.

The brown wire which must be connected to the terminal in the plug which is marked with the letter 'L' or is coloured red or brown.

If the plug to be fitted does not conform to the above notation then consult a qualified electrician.



## 2 Risks

### 2.1 Electrical components

#### DANGER

- !** The upper section of the vacuum cleaner contains live components. Contact with live components leads to serious or even fatal injuries.
- Never spray water on to the upper section of the vacuum cleaner.

#### DANGER

- !** Electric shock due to faulty mains connecting lead. Touching a faulty mains connecting lead can result in serious or even fatal injuries.
- Do not damage the mains power lead (e.g. by driving over it, pulling or crushing it).
  - Regularly check whether the power cord is damaged or shows signs of ageing.
  - Have the faulty mains connecting lead

replaced by your Nilfisk-ALTO service representative or a qualified electrician prior to using the appliance again.

- In no circumstances should the power supply cord be wrapped around fingers or any part of the operators person.

#### CAUTION

- !** Appliance socket.\*  
The appliance socket is only designed for the purposes defined in the operating instructions. The connection of different appliances can result in damage.

- Prior to plugging in an appliance, always switch off the vacuum cleaner and the appliance that is to be connected.
- Read the operating instructions to the appliance to be connected and observe the safety notes contained in these.

#### CAUTION

- !** Damage due to unsuitable mains voltage.  
The appliance can be damaged as a result of being connected to an unsuitable mains voltage.

- Ensure that the voltage shown on the rating plate corresponds to the voltage of the local mains power supply.

### 2.2 Picking up liquids

#### CAUTION

- !** Picking up liquids.  
Do not pick up flammable liquids
- Before liquids are picked up, always remove the filter bag/wastebag and check that the float or the water level limit works properly.
  - The use of a separate filter element or filter screen is recommended.
  - If foam appears, stop work immediately and empty the tank.

### 2.3 Hazardous materials

#### WARNING

- !** Hazardous materials.  
Vacuuming up hazardous materials can lead to serious or even fatal injuries
- The following materials must not be picked up by the vacuum cleaner:
  - hazardous dust
  - hot materials (burning cigarettes, hot ash, etc.)
  - flammable, explosive, aggressive liquids (e.g. petrol, solvents, acids, alkalis, etc.)
  - flammable, explosive dust (e.g. magnesium or aluminium dust, etc.)

### 2.4 Spare parts and accessories

**CAUTION**

- Spare parts and accessories.  
The use of non-genuine spare parts and accessories can impair the safety of the appliance.
- Only use spare parts and accessories from Nilfisk-ALTO.
  - Use only the brushes supplied with the vacuum cleaner or specified in the operating manual.

**2.5 Emptying dirt tank****CAUTION**

- Picking up environmentally hazardous materials.  
Materials picked up can present a hazard to the environment.
- Dispose of the dirt in accordance with legal regulations.

**2.6 In explosive or inflammable atmosphere****CAUTION**

- This machine is not suitable for use in explosive or inflammable atmospheres or where such atmospheres are likely to be produced by the presence of volatile liquid or inflammable gas or vapour.

**2.7 Blower function.****CAUTION**

- The vacuum cleaner has a blower function. Do not blow the outgoing air randomly in enclosed areas. Use the blower function only with a clean hose. Dusts can be hazardous to one's health.

**3 Control / Operation****3.1 Starting and operating of the machine**

Check that the electrical switch is switched off (in position 0). Check that suitable filters are installed in the machine. Then connect the suction hose into the suction inlet at the machine by pushing the hose forward until it fits firmly in place at the inlet. Then connect the two tubes with the hose handle, twist the tubes in order to ensure that they are properly fitted. Attach suitable nozzle to the tube. Choose nozzle depending on what type of material that is to be picked-up. Connect the plug into a proper electrical outlet. Put the electrical switch into position 1 in order to start the motor.



Press I : Activate the machine  
Press 0 : Stop the machine



Press I : Activate the machine  
Press 0 : Stop the machine  
Press P : Activate Auto-On/Off operation




Press I : Activate the machine - turn clockwise for speed control  
Press 0 : Stop the machine  
Press P : Activate Auto-On/Off operation - turn counter clockwise for speed control

**3.2 Auto-On/Off-Operation for power tools\***

A socket outlet with earthing contact is integrated in the vacuum cleaner. An external power tool can be connected there.

The vacuum cleaner can be switched on and off by the power tool connected. Dirt is picked up from the source of dust immediately.  
To comply with regulations, only approved dust producing tools should be connected.

The maximum power consumption of the connected electrical appliance is stated in section "Specifications".

Before switching the switch to position  ensure that the tool connected to the appliance socket is switched off.

**3.3 Before wet pick-up****CAUTION**

The machine is equipped with a float system that shuts off the airflow through the machine when the maximum liquid level is reached. You will hear a noticeable change of the sound from the motor and notice that the suction power decreases. When this occurs, switch the machine off. Disconnect the machine from the socket. Never pick up liquid without the float body in place.

**3.4 Emptying after wet pick-up**

Before emptying the container, unplug the vacuum cleaner. Disconnect the hose from the inlet by pulling out the hose. Release the latch by pulling them outwards so that the motor top is released. Open up the motor top from container. Always empty and clean the container and the float system after picking-up liquids. Never pick up liquid without the float system and filter installed in the machine.  
Empty by tilting the container backwards and pour the liquids into a floor drain or similar.

Put back the motor top to the container. Secure the motor top with the latches.

**3.5 Emptying after dry pick-up**

Remove the electrical plug from the socket before emptying after dry pick-up. Check the filters and dustbag regularly. Release the latch by pulling them outwards so that the motor top is released. Open up the motor top from container.

**Cartridge filter:** To clean the filter you can either shake, brush or wash it. Wait until it is dry before you reuse it.

**Dustbag:** check bag to ensure the fill factor. Replace dust bag if necessary. Remove the old bag. The new bag is fitted by passing the cardboard piece with the rubber membrane through the vacuum inlet. Make sure that the rubber membrane is passing past the heightening at the vacuum inlet.

After emptying: Close motor top to the container and secure the motor top with the latches. Never pick up dry material without cartridge filter and dustbag fitted in the machine. The suction efficiency of the vacuum cleaner depends on the size and quality of the filter and dust bag. Therefore - use only Original filter and dust bags.

### 3.6 Push & Clean

The machine is equipped with a semi automatic filter cleaning system. Push & Clean. The filter cleaning system must be actuated latest when the vacuuming performance is no longer sufficient. Regular use of the filter cleaning feature increases the tool life of the filter.

## 4 After using the cleaner

### 4.1 After use

Remove the plug from the socket when machine is not in use. Wind up the cord starting from the machine. The power cord can be wound up around the motor top or at the container. Some variants have special storage places for accessories.

### 4.2 Transport

- Before transporting the dirt tank, close all the locks.
- Do not tilt the cleaner if there is liquid in the dirt tank.
- Do not use a crane hook to lift the cleaner.

### 4.3 Storage

- Store the appliance in a dry place, protected from rain and frost.
- The machine shall be stored indoors only.

### 4.4 Recycling the cleaner

Make the old cleaner unusable.

1. Unplug the cleaner.
2. Cut the power cord.
3. Do not discard of electrical appliances with household waste.



As specified in European Directive 2002/96/EC

on old electrical and electronic appliances, used electrical goods must be collected separately and recycled ecologically.

## 5 Maintenance

### 5.1 Regular servicing and inspection

Regular servicing and inspection of your machine must be carried out by suitably qualified personnel in accordance with relevant legislation and regulations. In particular, electrical tests for earth continuity, insulation resistance, and condition of the flexible cord should be checked frequently. In the event of any defect, the machine MUST be withdrawn from service, completely checked and repaired by an authorized service technician.

### 5.2 Maintenance

Remove the plug from the socket before performing maintenance. Before using the machine make sure that the frequency and voltage shown on the rating plate correspond with the mains voltage.

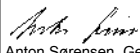
The cleaner is designed for continuous heavy work. Depending on the number of running hours – the dust filter should be renewed. Keep the vacuum cleaner clean with a dry cloth, and a small amount of spray polish.

For details of after sales service contact your dealer or Nilfisk-ALTO service representative responsible for your country. See reverse of this document.



## 6 Further information

### 6.1 EU Declaration of conformity

CE Declaration of Conformity	
Product:	Vacuum cleaner for wet and dry operation
Type:	AERO 26, AERO 31
The design of the unit corresponds to the following pertinent regulations:	EC - Machinery Directive 2006/42/EC EC - Directive EMC 2004/108/EC EC - RoHS Directive 2011/65/EC
Applied harmonised standards:	EN 60335-1:2012, EN 60335-2-69:2012, EN 55014-1:2006+A1+A2, EN 55014-2:1997+A1+A2, EN 61000-3-2:2006+A1+A2, EN 61000-3-3:2008
Applied international standards and technical specifications:	IEC 60335-2-69:2012 IEC 60335-1:2010
Name and address of the person authorised to compile the technical file:	Anton Sørensen, General Manager, Technical Operations EAPC Nilfisk-Advance A/S Sognevej 25 DK-2605 Brøndby
Identity and signature of the person empowered to draw up the declaration on behalf of the manufacturer:	 Anton Sørensen, General Manager, Technical Operations EAPC Nilfisk-Advance A/S Sognevej 25 DK-2605 Brøndby
Place and date of the declaration:	Hadsund 2013-08-01

### 6.2 Specifications

		AERO 26, AERO 31 INOX												
		EU				GB		CH		FR	AU / NZ		US	
		26-01	26-21	26-2L	31-21	26-21	26-21	26-2L	31-21	26-21	26-21	26-21	26-21	26-21
Possible voltage	V	220-240V	220-240V	220-240V	220-240V	230V	110V	220-240V	220-240V	220-240V	220-240V	120	120	
Power P <sub>ec</sub>	W	1000	1000	1200	1000	1000	1000	1200	1000	1000	1000	1000	1000	
Connected load for appliance socket	W	-	2600 / 1300*	2400 / 1100*	2600 / 1300*	1900	750	1100	1300	2600	1300	400	400	
Mains frequency	Hz	50/60	50/60	50/60	50/60	50/60	50/60	50/60	50/60	50/60	50/60	50/60	50/60	
Fuse	A	16 / 10*	16 / 10*	16 / 10*	16 / 10*	13	16	10	10	16	10	15	15	
Protection grade (moist, dust)		IP24												
Protection class (electrical)		II □	I	I	I	I	I	I	I	I	I	I	I	
Airflow	l/min m <sup>3</sup> /h	3600 216	3600 216	3700 220	3600 216	3600 216	3600 216	3700 220	3600 216	3600 216	3600 216	3600 216	3600 216	
Vacuum	kPa	21	21	23,5	21	21	21	23,5	21	21	21	21	21	
Sound pressure level 1 m, EN 60704-1	dB(A)+/-2	72												
Working sound level	dB(A)+/-2	64												
Vibration ISO 5349	m/s <sup>2</sup> +/-1	<1,5												
Weight	kg	9	9	9	10,5	9	9	9	10,5	9	9	9	10,5	

\* DK

Specifications and details are subject to change without prior notice.





# Nilfisk ALTO

works for you

## HEAD QUARTER

### DENMARK

Nilfisk-Advance A/S  
Sognevej 25  
DK-2605 Brøndby  
Tel.: (+45) 4323 8100  
www.nilfisk-advance.com

## SALES COMPANIES

### ARGENTINA

Nilfisk-Advance srl.  
Herrera 1855, 6 floor, Of. A-604  
ZC 1293 – Ciudad Autónoma  
de Buenos Aires – Argentina  
www.nilfisk-alto.com

### AUSTRALIA

Nilfisk-ALTO  
Unit 1, 13 Bessemer Street Blacktown  
NSW 2148 Australia  
www.nilfisk-alto.com.au

### AUSTRIA

Nilfisk-ALTO  
Geschäftsbereich der Nilfisk-Advance GmbH  
Metzgerstraße 68  
A-5101 Berghheim/Salzburg  
www.nilfisk-alto.at

### BELGIUM

Nilfisk-Advance NV/SA  
Riverside Business Park  
Boulevard Internationelelaan 55  
Bâtiment C3/C4 Gebouw  
Bruxelles 1070 Brussel  
www.nilfisk.be

### CHILE

Nilfisk-Advance S.A.  
San Alfonso 1462, Santiago  
www.nilfisk.com

### CHINA

Nilfisk-Advance Cleaning Equipment  
(Shanghai) Co Ltd.  
No. 4189, Yindu Road  
Xinzhuang Industrial Park  
Shanghai 201108  
www.nilfisk.cn

### CZECH REPUBLIC

Nilfisk-Advance s.r.o.  
Do Certout 1  
VGP Park Horní Pocerne, Budova H2  
CZ-190 00 Praha 9  
www.nilfisk.cz

### DENMARK

Nilfisk-ALTO Danmark  
Industrivej 1  
Hadsund, DK-9560  
www.nilfisk-alto.dk

### FINLAND

Nilfisk-Advance OY Ab  
Koskelontie 23E  
Espoo, FI-02920  
www.nilfisk.fi

### FRANCE

Nilfisk-Advance SAS  
Division ALTO  
BP 246  
91944 Courtaboeuf Cedex  
www.alto-fr.com

### GERMANY

Nilfisk-ALTO  
Geschäftsbereich der Nilfisk-Advance AG  
Guido-Oberdorfer-Straße 10  
89287 Bellenberg  
www.nilfisk-alto.de

### GREECE

Nilfisk-Advance A.E.  
8, Thoukididou Str.  
Argiroupoli, Athens, GR-164 52  
www.nilfisk.gr

### HOLLAND

Nilfisk-Advance B.V.  
Versterkerstraat 5  
1322 AN ALMERE  
www.nilfisk.nl

### HONG KONG

Nilfisk-Advance Ltd.  
2001 HK Worsted Mills Ind'l Bldg.  
31-39 Wo Tong Tsui St.  
Hong Kong, Kwai Chung, N.T.  
www.nilfisk.com

### HUNGARY

Nilfisk-Advance Kereskedelmi Kft.  
H-2310 Szigetszentmiklós-Lakihegy  
II. Rákóczi Ferenc út 10.  
www.nilfisk.hu

### INDIA

Nilfisk-Advance India Limited  
Praramukh Plaza, 'B' Wing, 4th floor, Unit No. 403  
Cardinal Gracious Road, Chakala  
Andheri (East), Mumbai 400 099  
www.nilfisk.com

### IRELAND

Nilfisk-Advance  
1 Stokes Place  
St. Stephen's Green  
Dublin 2, Ireland  
www.nilfisk-alto.ie

### ITALY

Nilfisk-Advance S.p.A.  
Strada Comunale Della Braglia, 18  
Guardamiglio, Lombardia, I-26862  
www.nilfisk.it

### JAPAN

Nilfisk-Advance Inc.  
1-6-6 Kita-Shinyokohama  
Kouhoku-Ku  
Yokohama 223-0059  
www.nilfisk-advance.co.jp

### KOREA

Nilfisk-Advance Korea  
471-4, Kumwon B/D 2F  
Gunja-Dong, Gwangjin-Gu, Seoul  
www.nilfisk-advance.kr

### MALAYSIA

Nilfisk-Advance Sdn Bhd  
SD 33, Jalan KIP 10  
Taman Perindustrian KIP  
Sri Damansara  
52200 Kuala Lumpur  
Malaysia  
www.nilfisk.com

### MEXICO

Nilfisk Advance de Mexico S. de R.L. de C.V.  
Agustin M. Chavez 1, PB-004  
Col. Centro Ciudad Santa Fe  
C.P. 01210 México, D.F.  
www.nilfisk-advance.com.mx

### NEW ZEALAND

Nilfisk-Advance NZ Ltd  
Danish House  
6 Rockridge Avenue  
Penrose Auckland NZ 1135  
www.nilfisk.com.au

### NORWAY

Nilfisk-Advance AS  
Bjørnerudvejen 24  
Oslo, N-1266  
www.nilfisk-alto.no

### PERU

Nilfisk-Advance S.A.C.  
Calle Boulevard 162, Of. 703, Lima 33- Perú  
Lima  
www.nilfisk.com

### POLAND

Nilfisk-Advance Sp. z o.o  
ul. 3-go Maja 8, Bud. B4  
Pruszków, PL-05-800  
www.nilfisk-alto.pl

### PORTUGAL

Nilfisk-Advance, Lda.  
Sintra Business Park  
Zona Industrial Da Abrunheira  
Edifício 1, 1o A  
Sintra, P-2710-089  
www.nilfisk.pt

### RUSSIA

Nilfisk-Advance LLC  
Vyatskaya str. 27, bld. 7, 1st floor  
Moscow, 127015  
www.nilfisk.ru

### SOUTH AFRICA

WAP South Africa (Pty) Ltd  
12 Newton Street  
1620 Spartan, Kempton Park  
www.wap.co.za

### SINGAPORE

Den-Sin  
22 Tuas Avenue 2  
Singapore  
www.nilfisk.com

### SPAIN

Nilfisk-Advance, S.A.  
Torre D'Ara  
Passeig del Rengle, 5 Pta.10ª  
Mataró, E-0830222  
www.nilfisk.es

### SWEDEN

Nilfisk-Advance AB  
Täljgårdsgatan 4  
431 53 Mölndal  
Website: www.nilfisk-alto.se

### SWITZERLAND

NA Sondergerger AG  
Nilfisk-ALTO Generalvertretung  
Mühlestasse 10  
CH-9100 Herisau  
www.nilfisk-alto.ch

### TAIWAN

Nilfisk-Advance Ltd.  
Taiwan Branch (H.K.)  
No. 5, Wan Fang Road, Taipei  
www.nilfisk-advance.com.tw

### THAILAND

Nilfisk-Advance Co. Ltd.  
89 Soi Chokechai-Ruammitr  
Viphavadee-Rangsit Road  
Jomphol, Jatuchak  
Bangkok 10900  
www.nilfisk.com

### TURKEY

Nilfisk-Advance Prof. Tem. Ek. Tic. A.S.  
Serifali Mh. Bayraktar Bulv. Sehitt Sk. No:7  
Ümraniye, Istanbul 34775  
www.nilfisk.com.tr

### UNITED KINGDOM

Nilfisk-ALTO  
Bowerbank Way, Gilwilly Industrial Estate  
Penrith, Cumbria  
GB-CA11 9BQ  
www.nilfisk-alto.co.uk

### UNITED ARAB EMIRATES

Nilfisk-Advance Middle East Branch  
SAIF-Zone, P. O. Box 122298  
Sharjah  
www.nilfisk.com

### USA

Nilfisk-Advance  
14600 21st Ave. North  
Plymouth MN 55447-3408  
www.nilfisk-alto.us

Nilfisk-Advance, Inc.  
Industrial Vacuum Division  
740 Hemlock Road, Suite 100  
Morgantown, PA 19543  
www.nilfisk-alto.us

### VIETNAM

Nilfisk-Advance Co., Ltd.  
No.51 Doc Ngu Str. Lieu Giai Ward  
Ba Dinh Dist. Hanoi  
www.nilfisk.com