



MADE IN THE USA

Product Description:

- Glove Box Dispenser - Single - Hanger
- Holds one box of gloves
- Bracket fits rails or edges up to .25" thick
- Quartz Beige Powder-Coated Steel

Primary Area for Product Usage:

- Anywhere gloves are needed

Dispenses:

- Boxes no larger than 5.60"W x 10.00"H x 3.50"D (14.2 cm x 25.4 cm x 8.9 cm)
- Boxes no smaller than 4.25"W x 8.00"H x 2.75"D (10.8 cm x 20.3 cm x 7.0 cm)

Package Specifications:

- Package Quantity: 12 per case
- 20"L x 16"W x 12"H (50.8 cm x 40.6 cm x 30.5 cm)
- 19.0 lbs (8.6 kg) - approximated

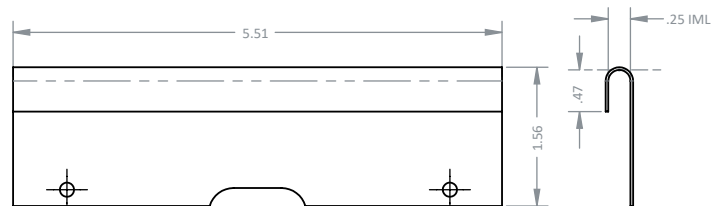
Product Specifications (overall external dimensions):

- 5.66"W x 11.14"H x 4.08"D (14.4 cm x 28.3 cm x 10.4 cm)
- 1.4 lbs (0.6 kg) - approximated

Mounting Specifications:

In Use:

- Shown mounted to a cart rail (below)

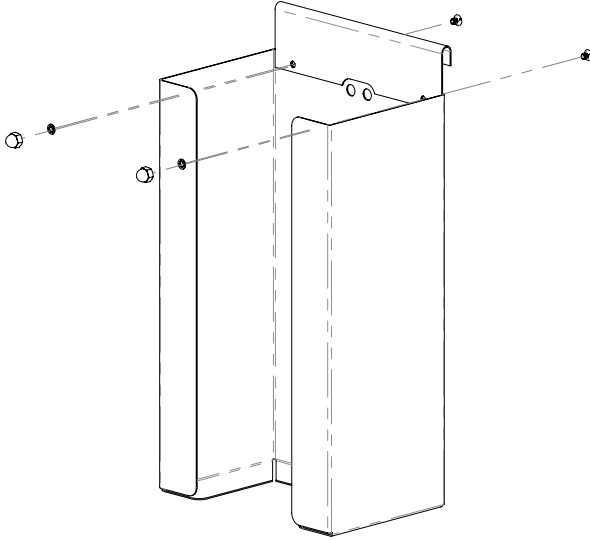




Installation

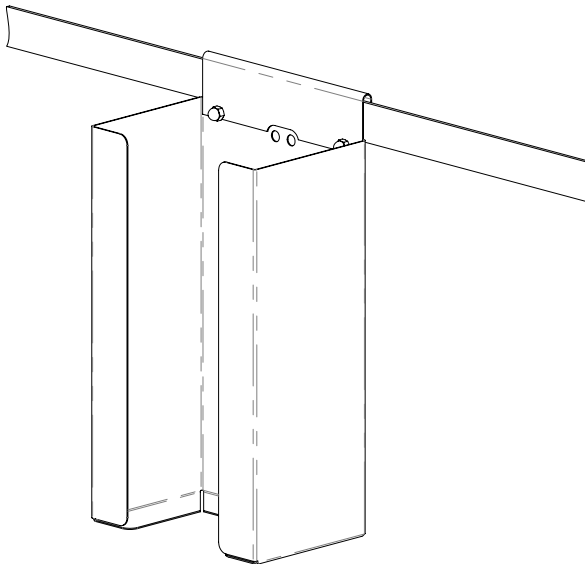
Always mount dispensers securely *prior* to loading with product.

- Attach bracket to dispenser, using the 4-40 x 1/4" Phillips screws with tooth lock washers and 4-40 acorn nuts.



1

- Bracket can be used to attach to the rail or top edge of a cart.



2

Parts included:

- Dispenser
- Bracket
- (2x) Steel Flat Screws - 4-40 x 1/4"
- (2x) Steel Tooth Lock Washers - 4-40
- (2x) Steel Acorn Nuts - 4-40

Tools Required:

- Flat Screwdriver
- 1/4" Nut Driver or small wrench/pliers

Care and Construction

Powder-Coated Steel

Material Characteristics

Designed for Long-Term, Heavy-Duty Applications

Dispensers and stands made of powder coated steel are both attractive and functional, providing years of service. Our powder coated steel dispensers and stands provide long-lasting products that hold up well in tough environments.

Powder coated steel is ideal for dispensers used in a healthcare or an industrial setting. It is impact resistant and is not effected by extremes in temperature.

Care and Cleaning

The powder coated finish resists common chemicals and cleaning agents and can be easily wiped clean with soap and water.